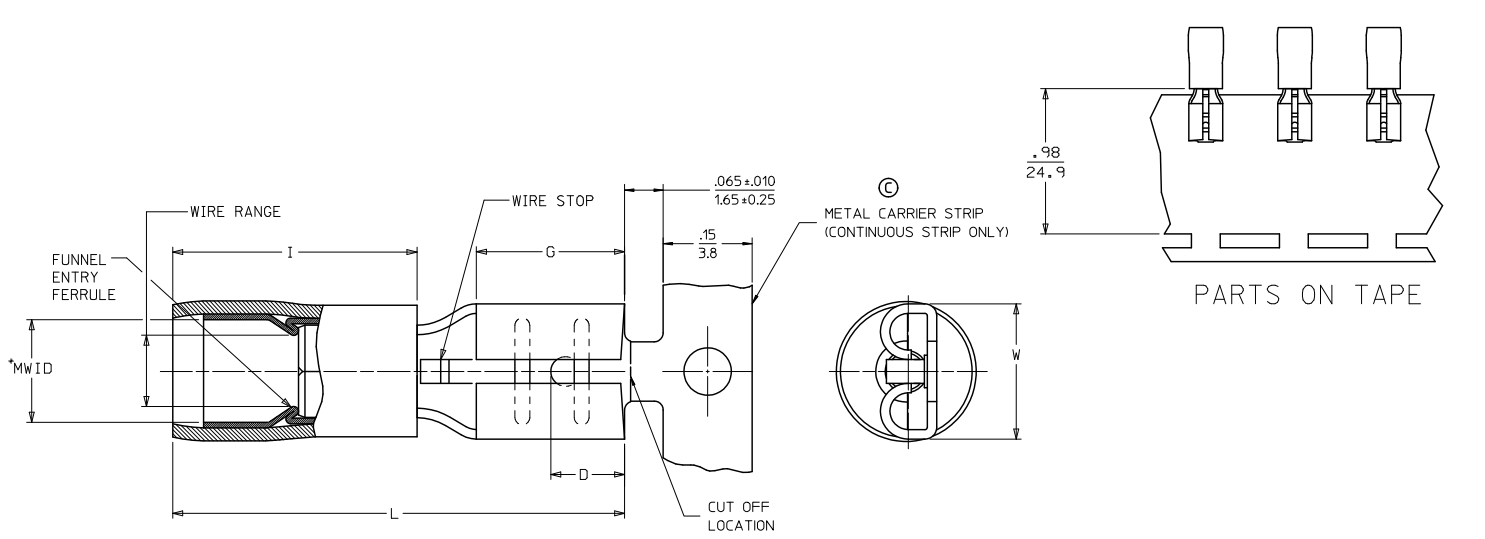


| LOOSE PIECE | | TAPE MOUNTED | | CONTINUOUS STRIP (C) | | SPECIFICATIONS | | | | | | | | | | |
|-----------------|--------------------|-----------------|--------------------|----------------------|--------------------|----------------|----------|-----------------------|-----------------------|-----------------|---------------|------------|-------------|-------------|-----------|-------------|
| MATERIAL NUMBER | ENGINEERING NUMBER | MATERIAL NUMBER | ENGINEERING NUMBER | MATERIAL NUMBER | ENGINEERING NUMBER | INS. COLOR | WIRE AWG | RANGE MM ² | FITS MALE TAB SIZE | STOCK THICKNESS | "L" MAX. | "I" MAX. | "W" MAX. | "D" ±.01 | "G" NOM. | MWID |
| 190190012 | AA-8140 | 190190013 | AA-8140T | 190190020 | AAZ-8140 | RED | 22-18 | 0.25-1.5 | .250x.032 (6.35X0.81) | .016 (0.41) | .865 (21.97) | .43 (10.9) | .301 (7.65) | .156 (3.96) | .31 (7.9) | .115 (2.92) |
| 190190031 | BB-8141 | 190190033 | BB-8141T | 190190036 | BBZ-8141 | BLUE | 16-14 | 1.0-2.5 | .250x.032 (6.35X0.81) | .016 (0.41) | .865 (21.97) | .43 (10.9) | .301 (7.65) | .156 (3.96) | .31 (7.9) | .138 (3.51) |
| 190190052 | P-8142 | 190190054 | P-8142T | 190190057 | PZ-8142 | YELLOW | 14-12 | 1.65-4.2 | .250x.032 (6.35X0.81) | .016 (0.41) | .865 (21.97) | .43 (10.9) | .301 (7.65) | .156 (3.96) | .31 (7.9) | .170 (4.32) |
| 190190037 | C-8143 | 190190038 | C-8143T | - | - | YELLOW | 10-12 | 4.0-6.0 | .250x.032 (6.35X0.81) | .018 (0.46) | 1.011 (25.68) | .57 (14.5) | .301 (7.65) | .156 (3.96) | .31 (7.9) | .225 (5.70) |
| 190190014 | AA-8190 | 190190016 | AA-8190T | 190190021 | AAZ-8190 | RED | 22-18 | 0.25-1.5 | .205x.020 (5.21X0.51) | .016 (0.41) | .789 (20.04) | .43 (10.9) | .251 (6.38) | .125 (3.18) | .25 (6.4) | .115 (2.92) |
| 190190034 | BB-8191 | 190190064 | BB-8191T | - | - | BLUE | 16-14 | 1.0-2.5 | .205x.020 (5.21X0.51) | .016 (0.41) | .789 (20.04) | .43 (10.9) | .251 (6.38) | .125 (3.18) | .25 (6.4) | .138 (3.51) |
| 190190015 | AA-8190-032 | 190190058 | AA-8190-032T | - | - | RED | 22-18 | 0.25-1.5 | .205x.032 (5.21X0.81) | .016 (0.41) | .789 (20.04) | .43 (10.9) | .251 (6.38) | .125 (3.18) | .25 (6.4) | .115 (2.92) |
| 190190035 | BB-8191-032 | 190190063 | BB-8191-032T | - | - | BLUE | 16-14 | 1.0-2.5 | .205x.032 (5.21X0.81) | .016 (0.41) | .789 (20.04) | .43 (10.9) | .251 (6.38) | .125 (3.18) | .25 (6.4) | .138 (3.51) |
| 190190008 | AA-8137-032 | 190190009 | AA-8137-032T | 190190019 | AAZ-8137-032 | RED | 22-18 | 0.25-1.5 | .187x.032 (4.75X0.81) | .016 (0.41) | .789 (20.04) | .43 (10.9) | .238 (6.05) | .125 (3.18) | .25 (6.4) | .115 (2.92) |
| 190190028 | BB-8138-032 | 190190029 | BB-8138-032T | 190190080 | BBZ-8138-032 | BLUE | 16-14 | 1.0-2.5 | .187x.032 (4.75X0.81) | .016 (0.41) | .789 (20.04) | .43 (10.9) | .238 (6.05) | .125 (3.18) | .25 (6.4) | .138 (3.51) |
| 190190049 | P-8139-032 | 190190050 | P-8139-032T | 190190056 | PZ-8139-032 | YELLOW | 14-12 | 1.65-4.2 | .187x.032 (4.75X0.81) | .016 (0.41) | .789 (20.04) | .43 (10.9) | .238 (6.05) | .125 (3.18) | .25 (6.4) | .170 (4.32) |
| 190190006 | AA-8137 | 190190011 | AA-8137T | 190190018 | AAZ-8137 | RED | 22-18 | 0.25-1.5 | .187x.020 (4.75X0.51) | .016 (0.41) | .789 (20.04) | .43 (10.9) | .238 (6.05) | .125 (3.18) | .25 (6.4) | .115 (2.92) |
| 190190027 | BB-8138 | 190190030 | BB-8138T | 190190079 | BBZ-8138 | BLUE | 16-14 | 1.0-2.5 | .187x.020 (4.75X0.51) | .016 (0.41) | .789 (20.04) | .43 (10.9) | .238 (6.05) | .125 (3.18) | .25 (6.4) | .138 (3.51) |
| 190190048 | P-8139 | 190190051 | P-8139T | 190190055 | PZ-8139 | YELLOW | 14-12 | 1.65-4.2 | .187x.020 (4.75X0.51) | .016 (0.41) | .789 (20.04) | .43 (10.9) | .238 (6.05) | .125 (3.18) | .25 (6.4) | .170 (4.32) |
| 190190004 | AA-8134 | 190190005 | AA-8134T | 190190075 | AAZ-8134 | RED | 22-18 | 0.25-1.5 | .110x.032 (2.80X0.81) | .012 (0.30) | .789 (20.04) | .43 (10.9) | .163 (4.14) | .210 (5.33) | .25 (6.4) | .115 (2.92) |
| 190190025 | BB-8135 | 190190026 | BB-8135T | 190190078 | BBZ-8135 | BLUE | 16-14 | 1.0-2.5 | .110x.032 (2.80X0.81) | .012 (0.30) | .789 (20.04) | .43 (10.9) | .163 (4.14) | .210 (5.33) | .25 (6.4) | .138 (3.51) |
| 190190001 | AA-8131 | 190190003 | AA-8131T | 190190017 | AAZ-8131 | RED | 22-18 | 0.25-1.5 | .110x.020 (2.80X0.51) | .012 (0.30) | .789 (20.04) | .43 (10.9) | .163 (4.14) | .210 (5.33) | .25 (6.4) | .115 (2.92) |
| 190190022 | BB-8132 | 190190024 | BB-8132T | 190190076 | BBZ-8132 | BLUE | 16-14 | 1.0-2.5 | .110x.020 (2.80X0.51) | .012 (0.30) | .789 (20.04) | .43 (10.9) | .163 (4.14) | .210 (5.33) | .25 (6.4) | .138 (3.51) |



- NOTES:
1. MATERIAL: BRASS TERMINAL, COPPER ALLOY FERRULE
 2. FINISH: ELECTRO-TIN PLATING
 3. INSULATION: EXTRUDED NYLON
 4. *MWID=MAXIMUM WIRE INSULATION DIAMETER
 5. PARTS ARE ROHS COMPLIANT.

| | | | | | | | | |
|---|-------------------------------|---------------------------------------|-------|-----------------|------------------|------------------|--|------------------------|
| FERRULE DESCR. CONT P/N EC NO: WNA2003-0510 DRAWN BY: MRODARIL 20/01/04 CHKD: JACQUEL 20/01/05 APPR: JACQUEL 20/01/05 | QUALITY SYMBOLS ▽=0 ◇=0 | GENERAL TOLERANCES (UNLESS SPECIFIED) | | DIMENSION STYLE | | SCALE | DESIGN UNITS | THIRD ANGLE PROJECTION |
| | | mm | INCH | IN/MM | --- | INCH | | |
| DRAWING DESCRIPTION | REVISION | 4 PLACES | ±.005 | ±.005 | DRAWN BY: BRE | DATE: 2001/07/25 | TITLE: QUICK DISCONNECT PARTIALLY INSULATED AVIKRIMP | |
| | | 3 PLACES | ±.01 | ±.01 | CHECKED BY: HEB | DATE: 2001/07/25 | | |
| DRAFT WHERE APPLICABLE MUST REMAIN WITHIN DIMENSIONS | | 1 PLACE | ±.025 | ±.025 | APPROVED BY: RWD | DATE: 2001/07/25 | MATERIAL NO. SD-19019-001 | |
| | | ANGULAR ±.° | | SEE CHART | | DOCUMENT NO. | | SHEET NO. 1 OF 1 |
| THIS DRAWING CONTAINS INFORMATION THAT IS PROPRIETARY TO MOLEX INCORPORATED AND SHOULD NOT BE USED WITHOUT WRITTEN PERMISSION | | | | | | | | |