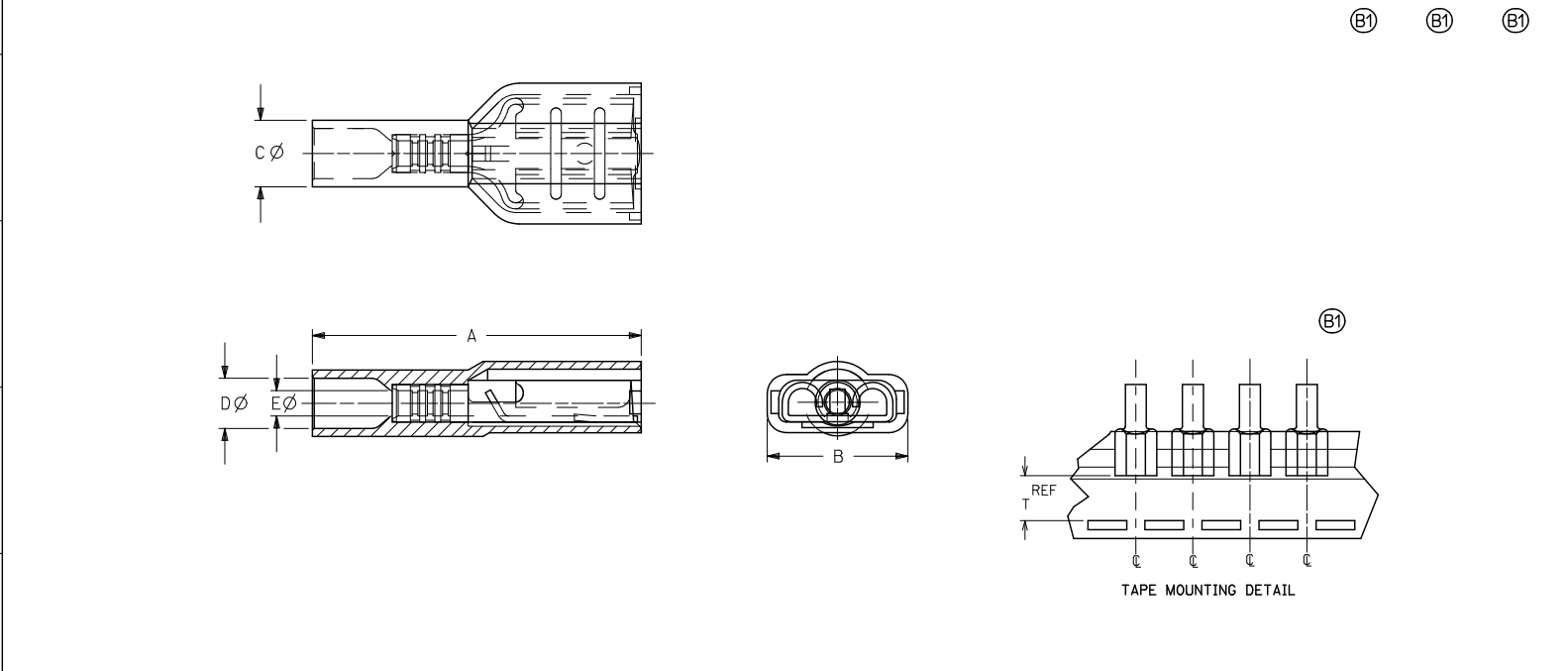


10	9	8	7	6	5	4	3	2	19005				
MATERIAL NO. LOOSE PC	ENGINEERING NO. LOOSE PC	MATERIAL NO. ON TAPE	ENGINEERING NO. ON TAPE	WIRE SIZE	ACCEPTS TAB SIZE	COLOR	STOCK THKNS (REF)	A MAX	B MAX	C MAX	D MWID	E MIN	T REF
190050001	AA-2261	190050004	AA-2261T	22-18	.250x.032/6.35x0.81	RED	.018/0.46	.89/22.6	.38/9.7	.23/5.9	.16/4.1	.08/2.0	.52/13.2
190050005	BB-2263	190050009	BB-2263T	16-14	.250x.032/6.35x0.81	BLUE	.018/0.46	.89/22.6	.38/9.7	.23/5.9	.16/4.1	.08/2.0	.52/13.2
190050010	C-2265	190050015	C-2265T	12-10	.250x.032/6.35x0.81	YELLOW	.018/0.46	1.04/26.4	.38/9.7	.34/8.7	.27/6.8	.14/3.5	.51/13.0



NOTES:

1. TERMINAL MATERIAL: BRASS
2. TERMINAL FINISH: TIN PLATED
3. INSULATION MATERIAL: MOLDED NYLON
4. MWID = MAXIMUM WIRE INSULATION DIAMETER
5. ASSEMBLY IS ROHS COMPLIANT.

REVISED TOLERANCES EC NO: WNA2010-0574 DRAWN BY: THRODAHL 2010/03/15 CHECKED BY: JMACNEIL 2010/03/15 APPR: JMACNEIL 2010/03/24 DESCRIPTION REV B1	QUALITY SYMBOLS	GENERAL TOLERANCES (UNLESS SPECIFIED)	DIMENSION STYLE (B1) IN/MM	SCALE ---	DESIGN UNITS INCH	THIRD ANGLE PROJECTION
	▽=0	4 PLACES ± --- ± ---	DRAWN BY EMF	DATE 1993/06/25	TITLE FULLY INSULATED FEMALE COUPLER	
	▽=0	3 PLACES ± --- ± ---	CHECKED BY	DATE	MATERIAL NO. SD-19005-001	
		2 PLACES ± --- ± ---	APPROVED BY JMACNEIL	DATE 2010/03/19	DOCUMENT NO.	SHEET NO. 1 OF 1
	1 PLACE ± --- ± ---	ANGULAR ± ---°	SEE CHART		THIS DRAWING CONTAINS INFORMATION THAT IS PROPRIETARY TO MOLEX INCORPORATED AND SHOULD NOT BE USED WITHOUT WRITTEN PERMISSION	
		DRAFT WHERE APPLICABLE MUST REMAIN WITHIN DIMENSIONS				