

4

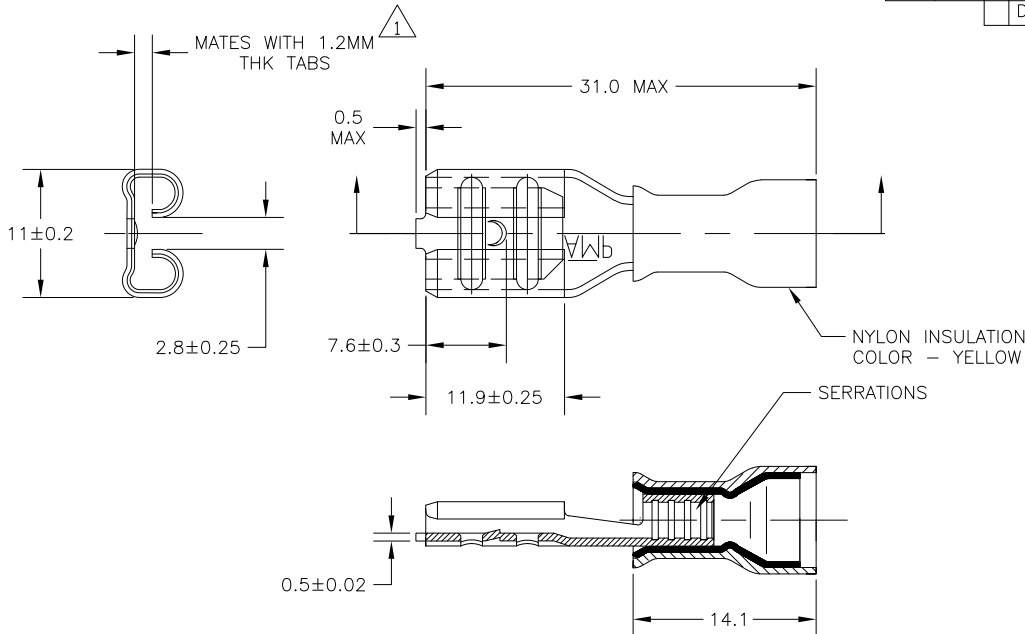
3

2

1

THIS DRAWING IS UNPUBLISHED. RELEASED FOR PUBLICATION  
 © COPYRIGHT - BY TYCO ELECTRONICS CORPORATION. ALL RIGHTS RESERVED.

LOC	DIST	REVISIONS			
P	LTR	DESCRIPTION	DATE	DWN	APVD
G	02				
	D4	REV PER ECR 07-024765	17OCT07	JR	TM



- 1 GAGE 0.93 MUST NOT ENTER  
GAGE 0.73 MUST ENTER
- 2 SUPERSEDED BY 160524-2
- 3 4.0-6.0mm2 [7,800-11,900 CMA]  
STRANDED ONLY
- 4 BODY: BRASS, 0.5 THK  
SLEEVE: COPPER  
TUBING; NYLON
- 5 BODY: TIN PLATED PER ASTM B545  
SLEEVE: TIN PLATE PER ASTM B545  
TUBING; COLOR-YELLOW
- 6 WIRE INSULATION O.D. RANGE, 3.8-6.4
- 7 PRELIMINARY - NOT FOR PRODUCTION

2500	160524-2 ON TAPE	TIN PLATED	BRASS	2-160524-2
500	LOOSE PIECE	TIN PLATED	PHOS BRONZE	160524-4
500	LOOSE PIECE	TIN PLATED	BRASS	160524-2
QTY	PACKAGING TYPE	PLATING	MATERIAL	PART NO

THIS DRAWING IS A CONTROLLED DOCUMENT.		DWN jr_ruth	Tyco Electronics Tyco Electronics Corporation Harrisburg, PA 17105-3608	
DIMENSIONS: MM INCHES		CHK T MICHELUTTI	NAME RECEPTACLE, FASTON, PIDG, 9.5 SERIES	
TOLERANCES UNLESS OTHERWISE SPECIFIED:		APVD T MICHELUTTI	SIZE A3	
0 PLC ± -		PRODUCT SPEC	CAGE CODE 00779	DRAWING NO 160524
1 PLC ± -		APPLICATION SPEC	RESTRICTED TO	
2 PLC ± 0.4		WEIGHT	-	
3 PLC ± 0.4		CUSTOMER DRAWING	SCALE 3:1	SHEET 1 of 1
4 PLC ± -		FINISH	REV D4	
MATERIAL - 4				