

4

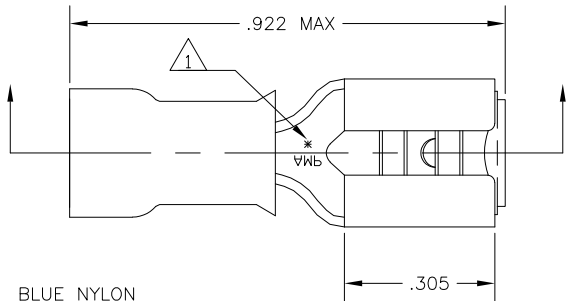
3

2

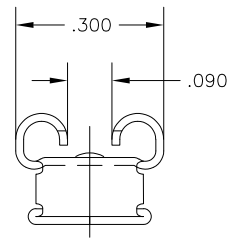
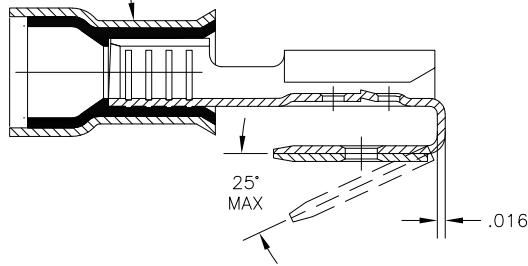
1

THIS DRAWING IS UNPUBLISHED. RELEASED FOR PUBLICATION  
 © COPYRIGHT - By - ALL RIGHTS RESERVED.

LOC	DIST	REVISIONS			
P	LTR	DESCRIPTION	DATE	DWN	APVD
G	02	F3	REVISED PER ECO-11-004917	11MAR11	RK HMR



BLUE NYLON INSULATION



- 1 MATING TAB THICKNESS .032
- 2 ASTERISK \* FOR PHOS. BRONZE ITEMS ONLY.
- 3 WIRE INSULATION DIA TO BE .170 MAX.
- 4 MAX RECOMMENDED OPERATING TEMP IS 105°C OR 221°F.
- 5 VOLTAGE RATING IS 300V MAX
- 6 CIRCULAR MIL AREA 1.0-2.5mm<sup>2</sup> [1973-4934].

PHOS BRONZE ELECTRO-TIN 2	9-160463-5
BRASS ELECTRO-TIN	9-160463-2
DESCRIPTION	PART NO

THIS DRAWING IS A CONTROLLED DOCUMENT.		DWN	11JUL05	TE Connectivity		
DIMENSIONS: INCHES		CHK	11JUL05			
TOLERANCES UNLESS OTHERWISE SPECIFIED:		T	MICHELUTTI			
0 PLC ± - 1 PLC ± - 2 PLC ± .02 3 PLC ± .005 4 PLC ± - ANGLES ± 0° 30'		APVD	T			MICHELUTTI
MATERIAL FINISH		NAME				
		PRODUCT SPEC		250 SERIES P.I.D.G. FASTON REC, ASS'Y, PIGGYBACK		
		APPLICATION SPEC		WIRE SIZE : 16-14 AWG		
		WEIGHT		SIZE	CAGE CODE	
		CUSTOMER DRAWING		A3	00779	
				DRAWING NO	RESTRICTED TO	
				C-160463	-	
				SCALE	SHEET	
				5:1	1 of 1	
				REV	F3	