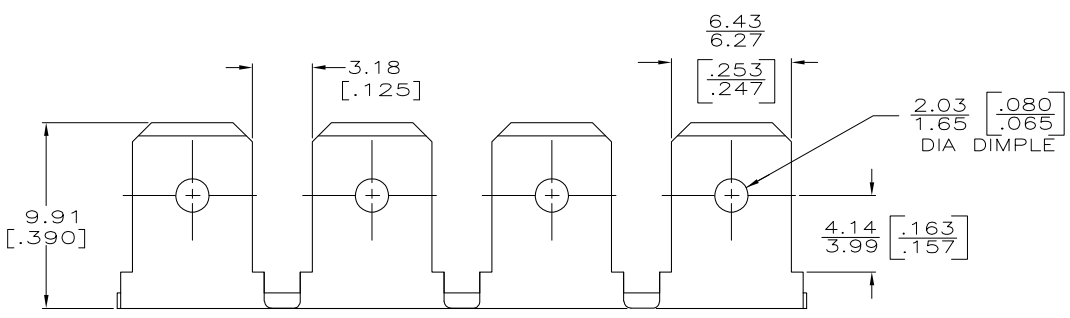
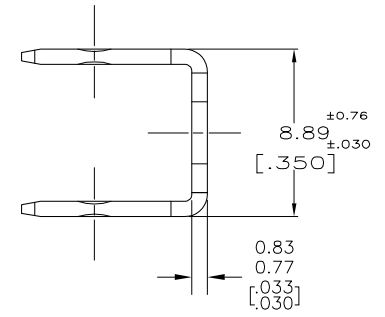
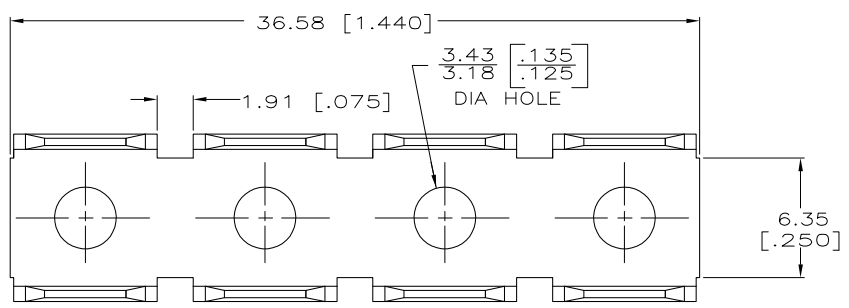


THIS DRAWING IS UNPUBLISHED. RELEASED FOR PUBLICATION
 © COPYRIGHT BY TYCO ELECTRONICS CORPORATION. ALL RIGHTS RESERVED.

LOC	DIST	REVISIONS					
AF	50	P	LTR	DESCRIPTION	DATE	DWN	APVD
		AG		REV PER ECR-05-017287	28MAR06	HMR	JR



1 SUPPLIED IN LOOSE PIECE

41370
PART NO

THIS DRAWING IS A CONTROLLED DOCUMENT.		DWN	JR RUTH	12/2/91		Tyco Electronics Corporation	
DIMENSIONS: mm [INCHES]		CHK	MS FEHER	12/2/91		Harrisburg, PA 17105-3608	
TOLERANCES UNLESS OTHERWISE SPECIFIED:		APVD	MEYERS	12/2/91	NAME		
0 PLC	± -	PRODUCT SPEC		TAB, FASTON, 6.35 [0.250] SERIES			
1 PLC	± -	APPLICATION SPEC		SIZE	CAGE CODE	DRAWING NO	RESTRICTED TO
2 PLC	± -	WEIGHT		A3	00779	C=41370	-
3 PLC	± 0.38 [0.015]	CUSTOMER DRAWING		SCALE	SHEET	1 of 1	REV
4 PLC	± -			5:1			AG
ANGLES	± -						
MATERIAL	082 BRASS						
FINISH	-						

AMP 1470-19 REV 31MAR2000