

4

3

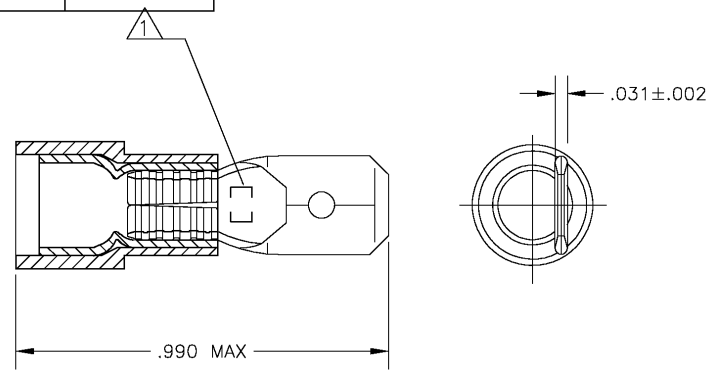
2

1

THIS DRAWING IS UNPUBLISHED. RELEASED FOR PUBLICATION
 © COPYRIGHT - BY TYCO ELECTRONICS CORPORATION. ALL RIGHTS RESERVED.

LOC	DIST	REVISIONS			
P	LTR	DESCRIPTION	DATE	DWN	APVD
G	86	D1	REV PER ECR 05-001779	26APR05	JR TM

AMP WIRE RANGE	FILE E66717	LR7189 Certified
12-10 AWG STRANDED	12-10 AWG STRANDED	12-10 AWG STRANDED



- ① MARKED AMP 12-10
- ② DESIGNED FOR WIRE INSULATION DIA OF .135-.210.
- ③ BODY: .016±.001 THK BRASS, TIN PL. SLEEVE: NYLON, YELLOW
- ④ RATED FOR 24 MAX AMPERE

TYCO ELECTRONICS CUSTOMER SERVICE SYSTEM	
FOR ADDITIONAL PRODUCT INFORMATION OR COPIES OF DRAWING AND TECHNICAL DOCUMENTS	PRODUCT INFORMATION CENTER 1-800-522-6792
FOR APPLICATION TOOLING INFORMATION	TOOLING ASSISTANCE CENTER 1-800-722-1111
FOR ORDER ENTRY	1-800-526-5142

MAX RECOMMENDED OPERATING TEMPERATURE: 105°C [221°F]
VOLTAGE RATING: 300V MAX
CIRCULAR MIL AREA: 5,180-13,100 STRANDED

THIS DRAWING IS A CONTROLLED DOCUMENT.	
DIMENSIONS: INCHES	TOLERANCES UNLESS OTHERWISE SPECIFIED:
	0 PLC ± -
	1 PLC ± -
	2 PLC ± -
	3 PLC ± .008
	4 PLC ± -
	ANGLES ± -
MATERIAL	FINISH
- ③	- ③

100	LOOSE PIECE	8-696372-1
1000	LOOSE PIECE	696372-1
QTY	PACKAGE TYPE	PART NO.
DWN JR RUTH 06DEC01		Tyco Electronics Corporation Harrisburg, Pa 17105-3608
CHK T MICHELUTTI 06DEC01		
APVD T MICHELUTTI 06DEC01		
NAME		
APPLICATION SPEC 114-13076		TAB, 250 SERIES, FASTON, PIDG, WIRE: 12-10 AWG
WEIGHT	SIZE CAGE CODE DRAWING NO	RESTRICTED TO
-	A3 00779 ③-696372	-
CUSTOMER DRAWING		SCALE 1:1 SHEET 1 OF 1 REV D1

AMP 1470-19 REV 31MAR2000