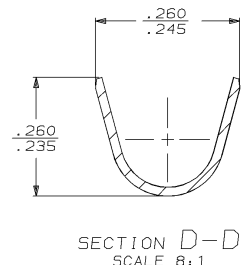
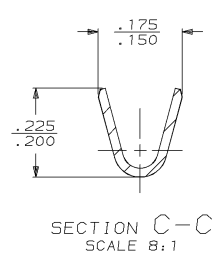
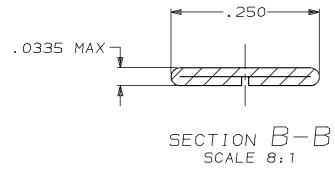
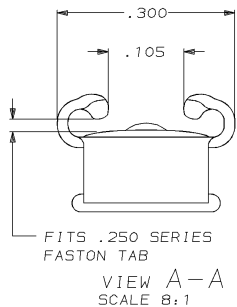
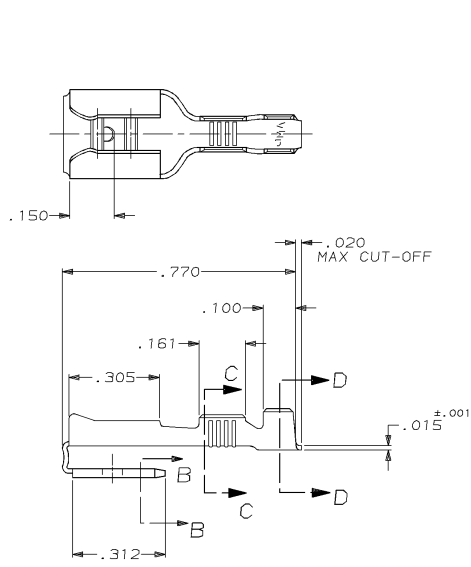


DRAWING MADE IN THIRD ANGLE PROJECTION
 THIS DRAWING IS UNPUBLISHED. RELEASED FOR PUBLICATION .19
 © COPYRIGHT 19 BY AMP INCORPORATED. ALL INTERNATIONAL RIGHTS RESERVED.

REVISIONS								
LOC	DIST	P	F	ZONE	LTR	DESCRIPTION	DATE	APPD
AF	50				0	DRAWN	12/8/94	JR/CM

1 SUPPLIED IN LOOSE PIECE



62049-2	#4H BRASS	.150-.200	14-10	.032	62090-1
STRIP	MATERIAL	INSULATION RANGE	WIRE SIZE	MATING TAB THK ±.001	PART NO
DO NOT SCALE PRINT. UNLESS SPECIFIED DIMENSIONS ARE IN INCHES TOLERANCES ON ±: 2 PLC DEC # - 3 PLC DEC # .015 ANGLES ± -	DR 12/8/94 JR RUTH CHK 12/8/94 MS FEHER APPD 12/8/94 P DESANTIS	AMP AMP INCORPORATED Harrisburg, Pa. 17105 RECEPTACLE, FASTON, PIGGYBACK, .250 SERIES			
MATERIAL SEE TABLE	APPD 12/8/94 R REINER PRODUCT SPEC -				
FINISH TIN	APPLICATION SPEC -	SIZE C	CAGE CODE 00779	DRAWING NO 62090	
WEIGHT -		SCALE 4:1		SHEET 1 OF 1	

AMP 1471-6 REV 6-89 08-DEC-94 15:08:44 amp13469 //files/dept2121/dwa2121/u.faston-ceb/u.250-str

CUSTOMER DRAWING