

4

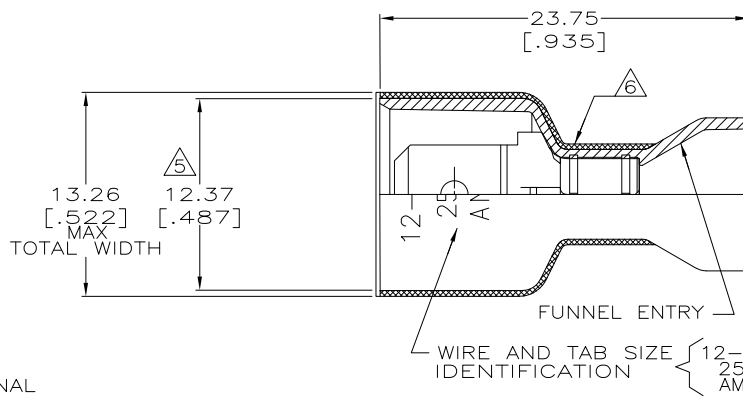
3

2

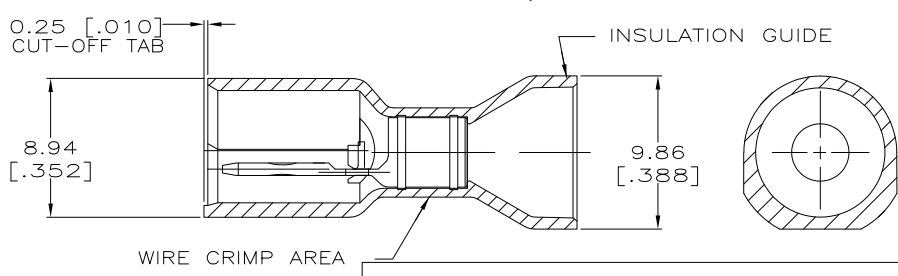
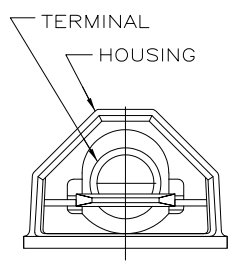
1

THIS DRAWING IS UNPUBLISHED. RELEASED FOR PUBLICATION  
 © COPYRIGHT - By - ALL RIGHTS RESERVED.

LOC	DIST	REVISIONS			
P	LTR	DESCRIPTION	DATE	DWN	APVD
AF	50	B1	REVISED PER ECO-11-004820	11MAR11	RK HMR



- 1 TAB DIMENSIONS 0.81±0.025 X 6.35 [.032±.001 X .250]
- 2 WIRE STRIP LENGTH 7.92 [.312].
- 3 INSULATION SIZE .320 MAX DIA.
- 4 SUPPLIED IN LOOSE PIECE.
- 5 DIMENSION DOES NOT INCLUDE TRIM BURR.
- 6 0.38 [.015] MAX CARRIER TRIM BURR PER SIDE IS ALLOWABLE IN THE SHADED AREA.



HOUSING: NYLON, COLOR-YELLOW	4-521098-2
TAB: #3 HARD BRASS, TIN 0.002032 [.000080] MIN	
MATERIAL & FINISH	
PART NO	

THIS DRAWING IS A CONTROLLED DOCUMENT.		DWN	JR RUTH	9/25/95	<b>STE</b> TE Connectivity
DIMENSIONS: MM [INCHES]		CHK	P FORTNEY	9/25/95	
TOLERANCES UNLESS OTHERWISE SPECIFIED:		APVD	D BRATINA	9/25/95	
0 PLC	± -	NAME		TAB ASSEMBLY, ULTRA-FAST, [6.35] .250 SERIES, 12-10 AWG	
1 PLC	± -	PRODUCT SPEC		108-2017	
2 PLC	± 0.38 [.015]	APPLICATION SPEC		114-2123	
3 PLC	± -	SIZE	A3	CAGE CODE	00779
4 PLC	± -	DRAWING NO	C=521098		RESTRICTED TO
4 PLC ANGLES	± -	WEIGHT	-		-
MATERIAL	SEE TABLE	FINISH	SEE TABLE	CUSTOMER DRAWING	SCALE 4:1 SHEET 1 OF 1 REV B1