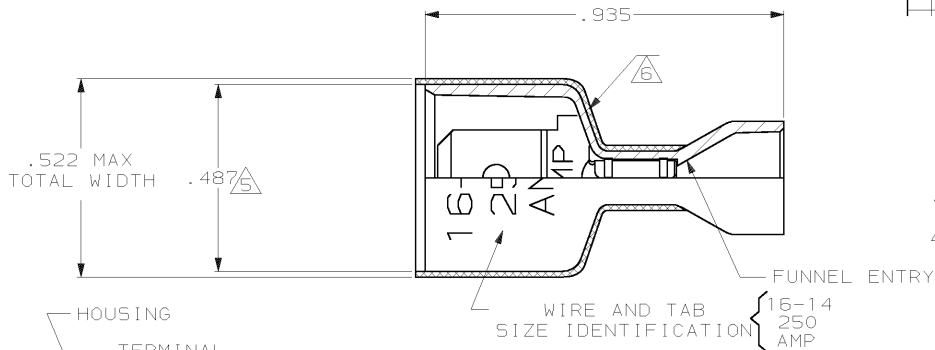


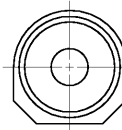
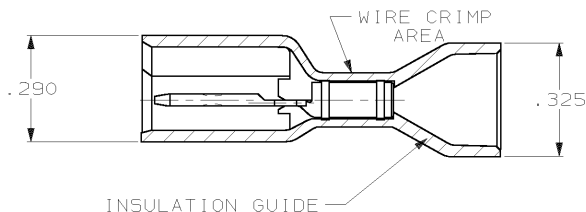
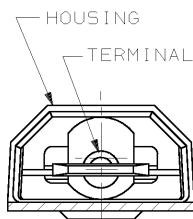
DRAWING MADE IN THIRD ANGLE PROJECTION

THIS DRAWING IS UNPUBLISHED. RELEASED FOR PUBLICATION, 19
 © COPYRIGHT 19 BY AMP INCORPORATED. ALL INTERNATIONAL RIGHTS RESERVED.

LOC	DIST	REVISIONS				
P	F	ZONE	LTR	DESCRIPTION	DATE	APPD
AF	50		A	REL PER 061A-0078-99	25MAR99	JR/JH



- 1 TAB DIMENSIONS .032±.001x.250
- 2 WIRE STRIP LENGTH .281
- 3 INSULATION SIZE .260 MAX DIA
- 4 SUPPLIED IN LOOSE PIECE.
- 5 DIMENSION DOES NOT INCLUDE TRIM BURR
- 6 .015 MAX CARRIER TRIM BURR PER SIDE IS ALLOWABLE IN THE SHADED AREA



HOUSING: NYLON, COLOR-BLUE TRANSLUCENT		3-521191-2	
TAB: #3 HARD BRASS, TIN .000080 MIN		PART NO	
MATERIAL & FINISH		AMP INCORPORATED Harrisburg, Pa. 17105	
DO NOT SCALE PRINT. UNLESS SPECIFIED DIMENSIONS IN INCHES TOLERANCES ON: 2 PLC DEC ± 3 PLC DEC ± .015 ANGLES ± -	DR 9FEB99 JR RUTH CHK 9FEB99 MS FEHER APPD 9FEB99 J HORNEL APPD 9FEB99 D BRATINA	NAME TAB ASSEMBLY, LID, ULTRA-FAST, LOOSE PIECE, .250 SERIES, 16-14 AWG	
MATERIAL SEE TABLE	PRODUCT SPEC 108-2017	SIZE B	FSCM NO 00779
FINISH SEE TABLE	APPLICATION SPEC 114-2123	DRAWING NO 521191	SCALE 4:1
WEIGHT -		SHEET 1 OF 1	

AMP 1470-15 REV 3-87
 25-MAR-99 07:26:37 amp13469 /home/amp13469/edimmod

CUSTOMER DRAWING