

4

3

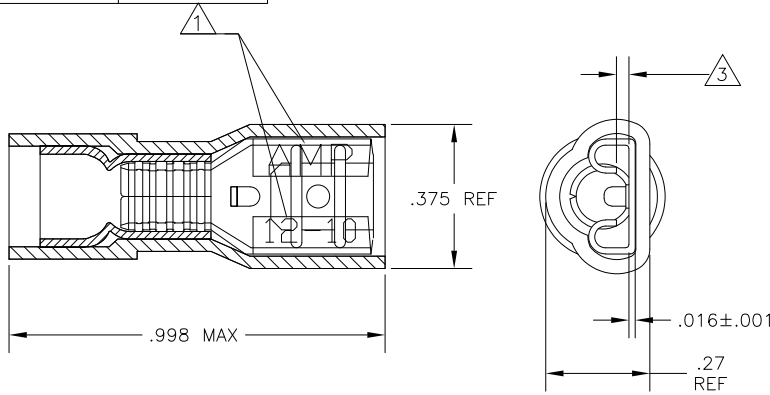
2

1

THIS DRAWING IS UNPUBLISHED. RELEASED FOR PUBLICATION. ALL RIGHTS RESERVED.

LOC	DIST	REVISIONS					
G	86	P	LTR	DESCRIPTION	DATE	DWN	APVD
		E2		REVISED PER ECO-11-005027	11MAR11	RK	HMR

<b>AMP</b> WIRE RANGE	FILE E66717	LR7189 Certified
12-10 AWG STRANDED	12-10 AWG STRANDED	12-10 AWG STRANDED



- 1 MARKED AMP 12-10
- 2 DESIGNED FOR WIRE INSULATION DIA OF .135-.210.
- 3 MATES WITH .250±.003 BY .032±.001 THK TAB.
- 4 BODY: BRASS, TIN PLATED SLEEVE: NYLON, YELLOW
- 5 RATED FOR 24 MAX AMPERE

100	LOOSE PIECE	8-696371-1
1000	LOOSE PIECE	696371-1
QTY	PACKAGE TYPE	PART NO.

TE CONNECTIVITY CUSTOMER SERVICE SYSTEM		MAX RECOMMENDED OPERATING TEMPERATURE: 105°C [221°F]	THIS DRAWING IS A CONTROLLED DOCUMENT.		DWN JR RUTH 07NOV01	TE Connectivity RECEPTACLE, 250 SERIES, FASTON, FULLY INSULATED, WIRE: 12-10 AWG															
FOR ADDITIONAL COPIES OF DRAWING AND TECHNICAL DOCUMENTS	PRODUCT INFORMATION CENTER 1-800-522-6752		DIMENSIONS: INCHES	TOLERANCES UNLESS OTHERWISE SPECIFIED:	CHK T MICHELUTTI 07NOV01		NAME														
FOR APPLICATION TOOLING INFORMATION	TOOLING ASSISTANCE CENTER 1-800-722-1111	VOLTAGE RATING: 300V MAX	<table border="1"> <tr><td>0</td><td>PLC</td><td>± -</td></tr> <tr><td>1</td><td>PLC</td><td>± -</td></tr> <tr><td>2</td><td>PLC</td><td>± -</td></tr> <tr><td>3</td><td>PLC</td><td>± .008</td></tr> <tr><td>4</td><td>PLC</td><td>± -</td></tr> </table>	0	PLC	± -	1	PLC	± -	2	PLC	± -	3	PLC	± .008	4	PLC	± -	APVD T MICHELUTTI 07NOV01	APPLICATION SPEC 114-13076	RESTRICTED TO
0	PLC	± -																			
1	PLC	± -																			
2	PLC	± -																			
3	PLC	± .008																			
4	PLC	± -																			
FOR ORDER ENTRY	1-800-526-5142	CIRCULAR MIL AREA: 5,180-13,100 STRANDED	MATERIAL - 4	FINISH - 4	WEIGHT -	SIZE A3	CAGE CODE 00779	DRAWING NO C-696371	SCALE 1:1	SHEET 1 of 1	REV E2										

1470-19 (3/11)