

4

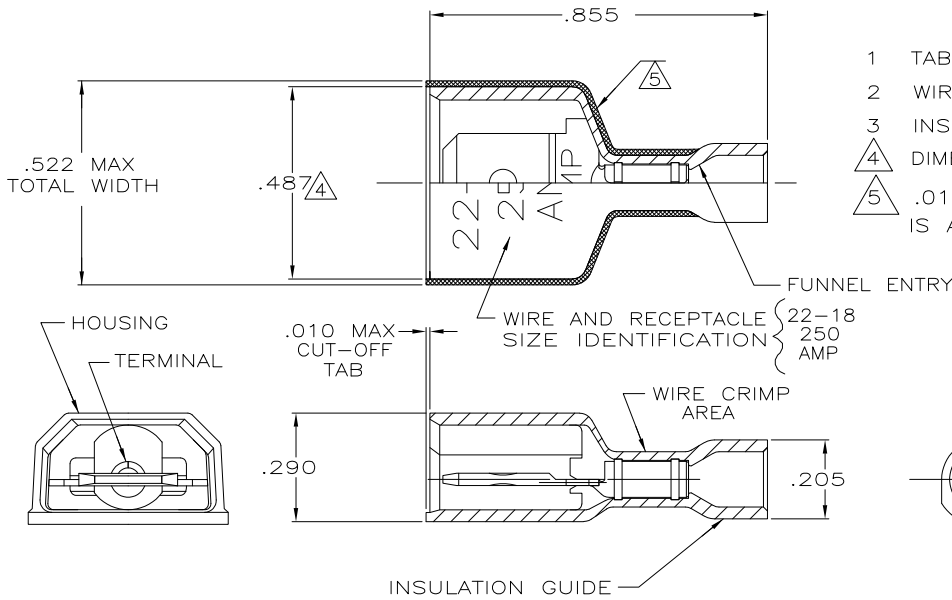
3

2

1

THIS DRAWING IS UNPUBLISHED. RELEASED FOR PUBLICATION
 © COPYRIGHT - By - ALL RIGHTS RESERVED.

LOC	DIST	REVISIONS			
P	LTR	DESCRIPTION	DATE	DWN	APVD
AF	50	K1	REVISED PER ECO-11-004820	11MAR11	RK HMR



- 1 TAB DIMENSIONS .032±.001x.250
- 2 WIRE STRIP LENGTH .281
- 3 INSULATION SIZE .135 MAX DIA
- 4 DIMENSION DOES NOT INCLUDE TRIM BURR
- 5 .015 MAX CARRIER TRIM BURR PER SIDE IS ALLOWABLE IN THE SHADED AREA

HOUSING: NYLON, COLOR-RED TRANSLUCENT	2-520103-2
RECEPTACLE: #3 HARD BRASS, TIN .000080 MIN	
MATERIAL & FINISH	PART NO

THIS DRAWING IS A CONTROLLED DOCUMENT.		DWN P FORTNEY 11/16/88	TE Connectivity													
DIMENSIONS: INCHES		CHK MS FEHER 11/30/88														
TOLERANCES UNLESS OTHERWISE SPECIFIED:		APVD KA RANDOLPH 12/14/88	NAME													
<table border="1"> <tr><td>0 PLC</td><td>± -</td></tr> <tr><td>1 PLC</td><td>± -</td></tr> <tr><td>2 PLC</td><td>± -</td></tr> <tr><td>3 PLC</td><td>± .015</td></tr> <tr><td>4 PLC</td><td>± -</td></tr> <tr><td>ANGLES</td><td>± -</td></tr> </table>		0 PLC	± -	1 PLC	± -	2 PLC	± -	3 PLC	± .015	4 PLC	± -	ANGLES	± -	PRODUCT SPEC 108-2017		TAB ASSEMBLY, ULTRA-FAST, LOOSE PIECE, .250 SERIES, 22-18 AWG
0 PLC	± -															
1 PLC	± -															
2 PLC	± -															
3 PLC	± .015															
4 PLC	± -															
ANGLES	± -															
MATERIAL SEE TABLE		APPLICATION SPEC 114-2123														
FINISH SEE TABLE		WEIGHT -	SIZE A3	CAGE CODE 00779												
		DRAWING NO C=520103	RESTRICTED TO -													
		CUSTOMER DRAWING		SCALE 4:1												
		SHEET 1 OF 1		REV K1												