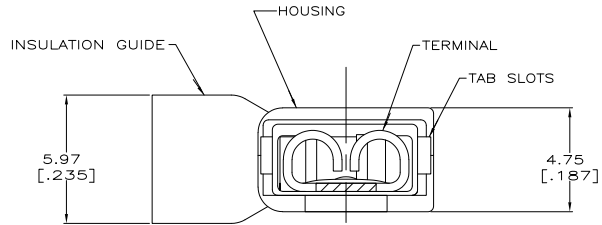
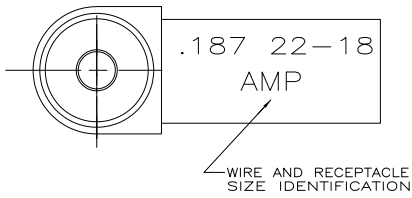
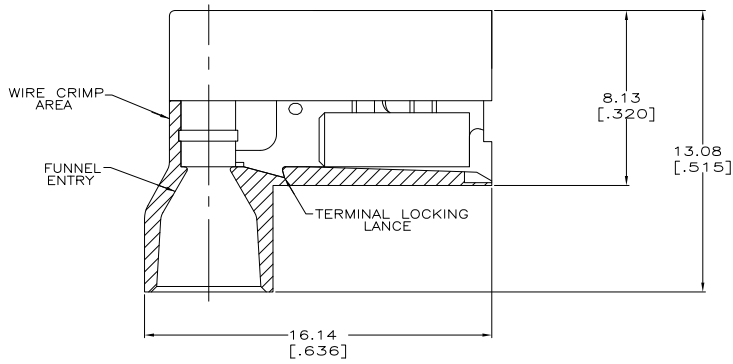


THIS DRAWING IS UNPUBLISHED.
 RELEASED FOR PUBLICATION
 BY COPYRIGHT - By - ALL RIGHTS RESERVED.

LOC		REV		REVISIONS			
AF	50	P	LTR	DESCRIPTION	DATE	DN	APD
H1		REVISED PER	ECO-11-004917		11MAR11	RK	HMR

- 1 FITS 0.51±0.025 X 4.75 [.020±.001 X .187] TAB
- 2 WIRE SIZE: 0.3-0.9mm² [22-18 AWG], STRANDED ONLY.
STRIP LENGTH 7.14 [.281]
- 3 INSULATION SIZE: 4.19 [.165] MAX DIA.
- 4 SUPPLIED AS LOOSE PIECE



HOUSING		TERMINAL		PART NO
MATERIAL	COLOR	MATERIAL	FINISH	
TYPE 6/6 NYLON	RED TRANSLUCENT	0.41 [.016] #4H PH BRZ	0.002032 [.000080] MIN TIN PL	2-520335-4
TYPE 6/6 NYLON	RED TRANSLUCENT	0.41 [.016] #4H BRASS	0.002032 [.000080] MIN TIN PL	2-520335-2

THIS DRAWING IS A CONTROLLED DOCUMENT.		DN D. FORTNEY	4/10/99	TE Connectivity
DIMENSIONS: MM(INCHES)		DRN MS FEHER	8/23/99	
TOLERANCES UNLESS OTHERWISE SPECIFIED:		APPD D. BRATINA	8/23/99	
Ø P/UC	±	FINISH SPEC		RECEPTACLE ASSEMBLY, ULTRA-FAST FLAG, 4.75 [.187] SERIES, LOOSE PIECE
1 P/UC	± 0.38 [.015]	APPLICATION SPEC	108-2043	
2 P/UC	±		114-2123	
4 P/UC	±			
MATERIAL	FINISH	WEIGHT		RESTRICTED TO
SEE TABLE	SEE TABLE	CUSTOMER DRAWING	SIZE: A2 CAGE CODE: 00779 DRAWING NO: 520335	SCALE: 8:1 SHEET: 1 of 1 REV: H1