

4

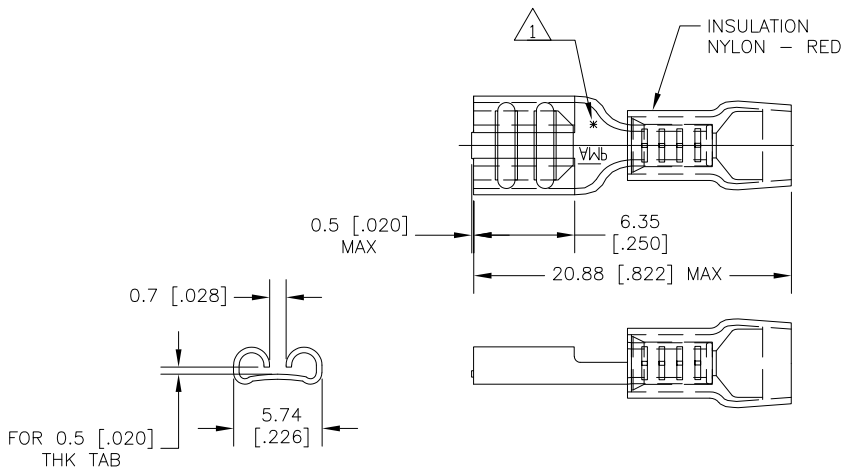
3

2

1

THIS DRAWING IS UNPUBLISHED. RELEASED FOR PUBLICATION
 © COPYRIGHT - BY TYCO ELECTRONICS CORPORATION. ALL RIGHTS RESERVED.

LOC	DIST	REVISIONS			
P	LTR	DESCRIPTION	DATE	DWN	APVD
G	00				
	K2	REV PER ECR 08-028310	10NOV08	JR	TM



- △ ASTERISK * FOR PHOS BRONZE PARTS ONLY
- 2 WIRE SIZE IS 22-16 AWG
- 3 WIRE INSULATION RANGE IS 2.7-3.6mm [.105-.140] DIA

	PACKAGE TYPE	TERMINAL PLATING	TERMINAL MATERIAL	PART NO
		TIN	BRASS	5-160481-1
OBSOLETE		GOLD	PHOS BRONZE	9-160481-7
OBSOLETE		SILVER	PHOS BRONZE	9-160481-6
	LOOSE PIECE	TIN	PHOS BRONZE	9-160481-5
OBSOLETE		GOLD	BRASS	9-160481-4
OBSOLETE		SILVER	BRASS	9-160481-3
		TIN	BRASS	9-160481-1

THIS DRAWING IS A CONTROLLED DOCUMENT.

DWN jr_ruth 07DEC07	Tyco Electronics Corporation Harrisburg, PA 17105-3608
CHK T MICHELUTTI 07DEC07	
APVD T MICHELUTTI 07DEC07	NAME
PRODUCT SPEC	RECEPTACLE, PIDG, FASTON, 4.75 [.187] SERIES
APPLICATION SPEC	
WEIGHT	SIZE CAGE CODE DRAWING NO RESTRICTED TO
	A3 00779 C-160481
CUSTOMER DRAWING	SCALE 4:1 SHEET 1 OF 1 REV K2