

4

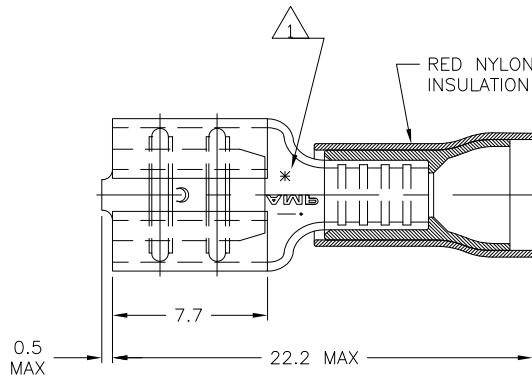
3

2

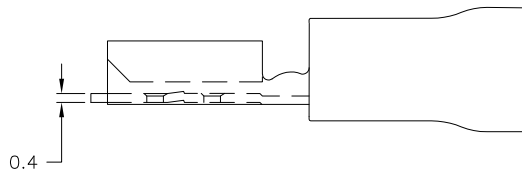
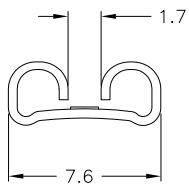
1

THIS DRAWING IS UNPUBLISHED. RELEASED FOR PUBLICATION
 © COPYRIGHT - By - ALL RIGHTS RESERVED.

LOC	DIST	REVISIONS				
P	LTR	DESCRIPTION	DATE	DWN	APVD	
G	86	L5	REVISED PER ECO-11-004587	11MAR11	RK HMR	



- △1 ASTERISK * FOR PHOS BRONZE VERSION ONLY.
- 2 WIRE RANGE: 0,3-1,5mm²
- 3 INSULATION RANGE: 3,5mm MAX DIA.
- 4 MATING TAB THK IS 0,8
- △5 SUPERSEDED BY 9-160583-5
- △6 SUPERSEDED BY 9-160583-6
- △7 SUPERSEDED BY 5-160583-2
- △8 SUPERSEDED BY 5-160583-5



PACKAGE TYPE	FINISH	MATERIAL	PART NO.
TAPE MOUNTED	GOLD PLATED	△1 PHOS. BRONZE	5-160583-7 △8
	SILVER PLATED	△1 PHOS. BRONZE	5-160583-6 △8
	TIN PLATED	△1 PHOS. BRONZE	5-160583-5
	GOLD PLATED	BRASS	5-160583-4 △7
	SILVER PLATED	BRASS	5-160583-3 △7
LOOSE PIECE	TIN PLATED	BRASS	5-160583-2
	TIN-LEAD	△1 PHOS. BRONZE	9-160583-8 △5
	GOLD PLATED	△1 PHOS. BRONZE	9-160583-7 △6
	SILVER PLATED	△1 PHOS. BRONZE	9-160583-6
	TIN PLATED	△1 PHOS. BRONZE	9-160583-5
	GOLD PLATED	BRASS	9-160583-4 △6
	SILVER PLATED	BRASS	9-160583-3 △6
	TIN PLATED	BRASS	9-160583-2

THIS DRAWING IS A CONTROLLED DOCUMENT.

DWN	JR RUTH	25AUG2004	STE TE Connectivity
CHK	T MICHELUTTI	25AUG04	
APVD	T MICHELUTTI	25AUG04	NAME
PRODUCT SPEC			RECEPTACLE, FASTON, P.I.D.G., .250 SERIES
APPLICATION SPEC			RESTRICTED TO
WEIGHT	-	SIZE	CAGE CODE
		A3	00779
		DRAWING NO	C-160583
CUSTOMER DRAWING		SCALE	4:1
		SHEET	1 OF 1
		REV	L5