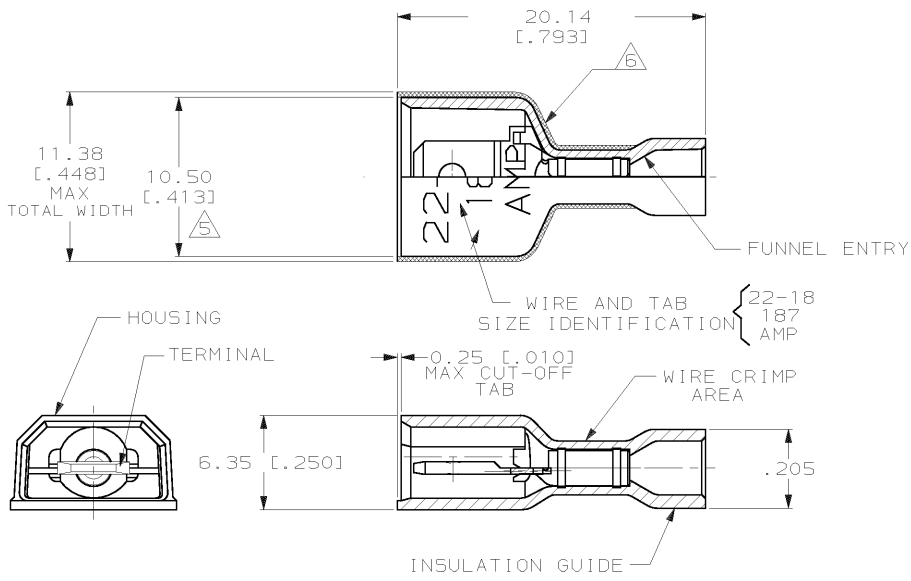


DRAWING MADE IN THIRD ANGLE PROJECTION

THIS DRAWING IS UNPUBLISHED. RELEASED FOR PUBLICATION, 19
 © COPYRIGHT 19 BY AMP INCORPORATED. ALL INTERNATIONAL RIGHTS RESERVED.

LOC	DIST	REVISIONS				
P	F	ZONE	LTR	DESCRIPTION	DATE	APPD
AF	50		A	REL 2-2 PER 0L10-0235-97	5/29/97	JR/JW



- 1 TAB DIMENSIONS .032±.001×.187
- 2 WIRE STRIP LENGTH .281
- 3 INSULATION SIZE .135 MAX DIA
- 4 SUPPLIED IN LOOSE PIECE.
- 5 DIMENSION DOES NOT INCLUDE TRIM BURR
- 6 0.38 [.015] MAX CARRIER TRIM BURR PER SIDE IS ALLOWABLE IN THE SHADED AREA

HOUSING: NYLON, COLOR-RED TRANSLUCENT		2-521105-2	
TAB: #3 HARD BRASS, TIN .000080 MIN		PART NO	
MATERIAL & FINISH		AMP INCORPORATED Harrisburg, Pa. 17105	
DO NOT SCALE PRINT. UNLESS SPECIFIED DIMENSIONS ARE IN mm (INCHES) TOLERANCES ON: 2. PLC DEC ± 0.38 (.015) 3. PLC DEC ± - ANGLES ± -		NAME TAB ASSEMBLY, ULTRA-FAST, 4.75 [.187] SERIES, 22-18 AWG	
MATERIAL	SEE TABLE	DR 9/25/95 JR RUTH	SIZE B
FINISH	SEE TABLE	CHK 9/25/95 MS FEHER	FSCM NO 00779
		APPD 9/25/95 J NORMAN	DRAWING NO 521105
		APPD 9/25/95 V KARABICJEVSOHY	SCALE 4:1
		PRODUCT SPEC 108-2017	SHEET 1 OF 1
		APPLICATION SPEC 114-2123	
		WEIGHT -	

AMP 1470-15 REV 3-87
 29-MAY-97 10:31:54 amp13469 /ws/dept2125/dwg2125/u.pre.ins.uf

CUSTOMER DRAWING