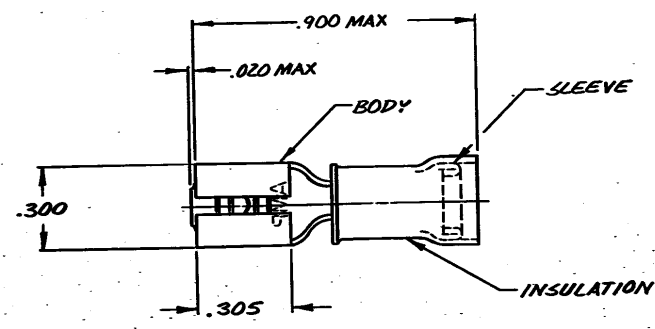


DRAWING MADE IN THIRD ANGLE PROJECTION

THIS DRAWING IS UNPUBLISHED. RELEASED FOR PUBLICATION

© COPYRIGHT 19 BY AMP INCORPORATED, HARRISBURG, PA. ALL INTERNATIONAL RIGHTS RESERVED. AMP PRODUCTS MAY BE COVERED BY U.S. AND FOREIGN PATENTS AND/OR PATENTS PENDING.

P		ZONE	LTR	DESCRIPTION	DATE	APPROVED
✓		D		REL-186-1169-001-Z P85-0528	5/15/88	PM/ [Signature]
✓		A		REV PER G-4725	7/12/88	ST/ [Signature]
✓		B		REV/0720-0220-92	1/83	Lo/m.e.



QTY	PACKAGE TYPE	PART NO
—	LOOSE PIECE	55675-1
4,000	ON TAPE, REEL	55675-2

- 1. FOR .135 MAX INSULATION DIA.
- 2. FITS .032 TAB THK.

BODY: BRASS MIL-C-50	55675-2
SLEEVE: COPPER QQ-C-576	
TIN PL MIL-T-10721	55675-1
INSULATION: NYLON RED	
MATERIAL & FINISH	
	PART NO

UNLESS OTHERWISE SPECIFIED DIMENSIONS ARE IN INCHES. TOLERANCES ON: DECIMALS ± .015 ANGLES ± —	CONTRACT NO	AMP AMP INCORPORATED Harrisburg, Pa.	
	DR <i>P. Fering 5/14/86</i>	NAME RECEPTACLE, PIDG, FASTON. 22-18, 250	
MATERIAL SEE TABLE	CHK <i>[Signature]</i>	SIZE B	FSCM NO 00779
FINISH SEE TABLE	APPD <i>[Signature]</i>	DRAWING NO 55675	
	DSGN APPD	SCALE NTS	SHEET 1 OF 1
	OTHER APPD		

CUSTOMER DRAWING