

4

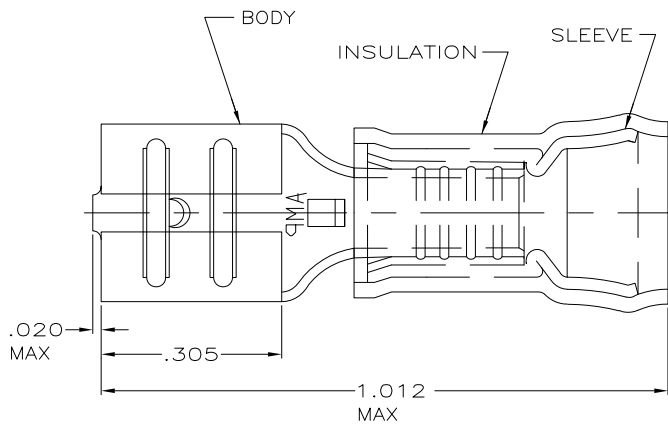
3

2

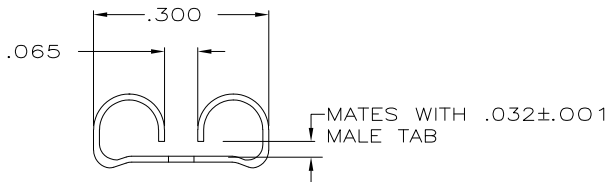
1

THIS DRAWING IS UNPUBLISHED. RELEASED FOR PUBLICATION  
 © COPYRIGHT - By - ALL RIGHTS RESERVED.

LOC	DIST	REVISIONS			
P	LTR	DESCRIPTION	DATE	DWN	APVD
G	14	Z1	REVISED PER ECO-11-004820	11MAR11	RK HMR



- 1. FOR .250 MAX INSULATION DIA
- 2. MAX WIRE LIMITED TO 6,470 CMA



BODY MATERIAL	QTY	PACKAGE TYPE	PART NO
PHOS BRONZE QQ-B-750	50	LOOSE PIECE,BOX	9-42844-2
BRASS MIL-C-50	100	LOOSE PIECE,BOX	8-42844-1
BRASS MIL-C-50	2500	ON TAPE, REEL	42844-3
PHOS BRONZE QQ-B-750	-	LOOSE PIECE	42844-2
BRASS MIL-C-50	-	LOOSE PIECE	42844-1

**OBSOLETE**

**AMP INCORPORATED  
CUSTOMER SERVICE SYSTEM**

FOR ADDITIONAL PRODUCT INFORMATION OR COPIES OF DRAWINGS AND TECHNICAL DOCUMENTS: PRODUCT INFORMATION CENTER 1-800-522-6752

FOR APPLICATION TOOLING INFORMATION: TOOLING ASSISTANCE CENTER 1-800-722-1111

FOR ORDER ENTRY: 1-800-526-5142

MAX RECOMMENDED OPERATING TEMPERATURE: -

VOLTAGE RATING: -

CIRCULAR MIL AREA: -

THIS DRAWING IS A CONTROLLED DOCUMENT.

DIMENSIONS: INCHES

TOLERANCES UNLESS OTHERWISE SPECIFIED:  
 0 PLC ± -  
 1 PLC ± -  
 2 PLC ± .015  
 3 PLC ± -  
 4 PLC ± -  
 ANGLES ± -

MATERIAL: BODY,SEE TABLE INSUL,NYLON,COLOR,GREEN

FINISH: BODY,TIN PLATE PER MIL-T-10727

DWN: L OLMEDA 26JUN95  
 CHK: M ELLIS 26JUN95  
 APVD: B BARE 26JUN95

**TE Connectivity**

NAME: RECEPTACLE, 250 SERIES, FASTON™, PIDG™, WIRE SIZE, 14-12 AWG

SIZE: A3 CAGE CODE: 00779 DRAWING NO: 42844 RESTRICTED TO: -

WEIGHT: -

CUSTOMER DRAWING SCALE: 6:1 SHEET: 1 OF 1 REV: Z1