

4

3

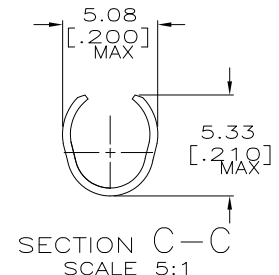
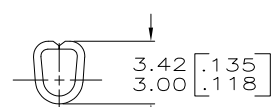
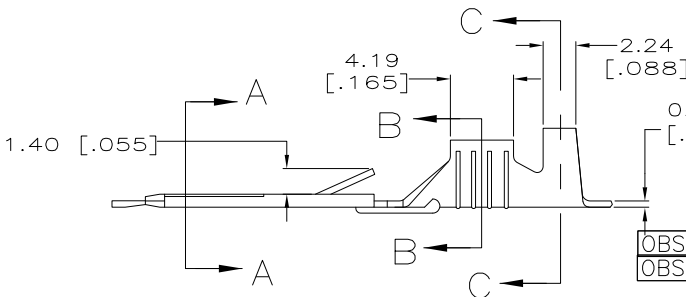
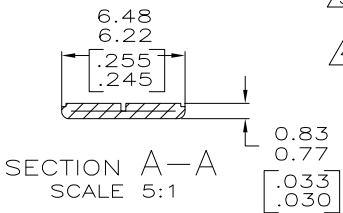
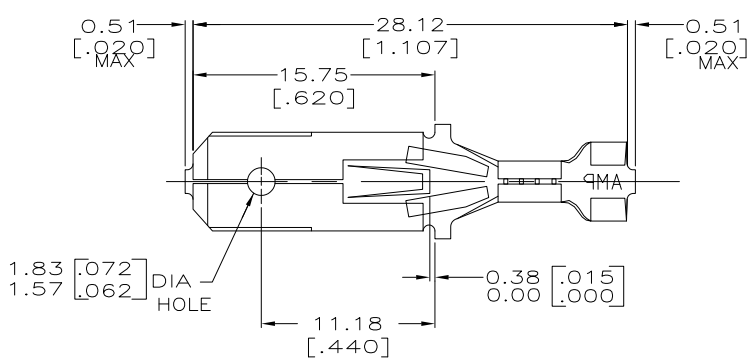
2

1

THIS DRAWING IS UNPUBLISHED. RELEASED FOR PUBLICATION
 © COPYRIGHT - BY TYCO ELECTRONICS CORPORATION. ALL RIGHTS RESERVED.

LOC	DIST	REVISIONS			
P	LTR	DESCRIPTION	DATE	DWN	APVD
D		REV PER ECR 05-017609	27MAR06	JR	KR
D1		REVISED PER ECO-10-000443	02FEB10	KK	HMR

- 1 SUPPLIED IN LOOSE PIECE
- 2 TIN 0.002032 [.000080] MIN.
- 3 SILVER 0.003048 [.000120] MIN.
- 4 FOREIGN PRODUCTION ONLY.



OBS OBS	3.05-3.68	#18-#16 AWG	TIN	082 PHOS BRZ	42565-4
	[.120-.145] DIA		SILVER	082 BRASS	42565-3
			TIN		42565-2
					42565-1
INSULATION RANGE		WIRE SIZE	FINISH	MATERIAL	PART NO.

SUPERSEDED BY 42565-2

THIS DRAWING IS A CONTROLLED DOCUMENT.

DIMENSIONS: INCHES	TOLERANCES UNLESS OTHERWISE SPECIFIED: 0 PLC ± - 1 PLC ± - 2 PLC ± 0.38 [.015] 3 PLC ± - 4 PLC ± - ANGLES ± -	DWN JR RUTH 2/6/95	Tyco Electronics Tyco Electronics Corporation Harrisburg, PA 17105-3608
MATERIAL SEE TABLE	FINISH SEE TABLE	CHK MS FEHER 2/6/95	
		APVD J GILLESPIE 2/6/95	NAME TAB, FASTIN-FASTON, 6.35 [.250] SERIES
		WEIGHT -	SIZE A3
		CAGE CODE 00779	DRAWING NO C-42565
		RESTRICTED TO -	
		CUSTOMER DRAWING	
		SCALE 4:1	SHEET 1 of 1
		REV D1	