

4

3

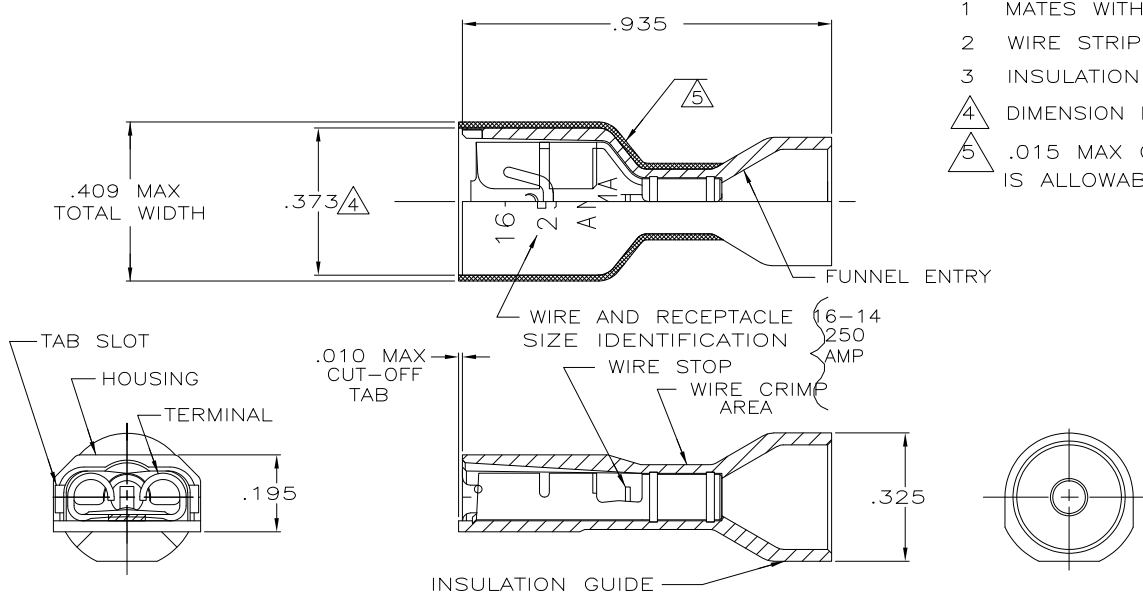
2

1

THIS DRAWING IS UNPUBLISHED. RELEASED FOR PUBLICATION
 © COPYRIGHT - By - ALL RIGHTS RESERVED.

LOC	DIST	REVISIONS			
P	LTR	DESCRIPTION	DATE	DWN	APVD
AF	50	L1	REVISED PER ECO-11-004820	11MAR11	RK HMR

- 1 MATES WITH .032±.001x.250 TAB
- 2 WIRE STRIP LENGTH .281
- 3 INSULATION SIZE .260 MAX DIA
- 4 DIMENSION DOES NOT INCLUDE TRIM BURR
- 5 .015 MAX CARRIER TRIM BURR PER SIDE IS ALLOWABLE IN THE SHADED AREA



HOUSING: NYLON, COLOR-BLUE TRANSLUCENT	3-520141-2
RECEPTACLE: #3 HARD BRASS, TIN .000080 MIN	
MATERIAL & FINISH	
PART NO	

THIS DRAWING IS A CONTROLLED DOCUMENT.		DWN P FORTNEY 10/18/88	STE TE Connectivity	
DIMENSIONS: INCHES		CHK JR RUTH 10/18/88		
TOLERANCES UNLESS OTHERWISE SPECIFIED:		APVD K RANDOLPH 10/21/88	RECEPTACLE ASSY, ULTRA-FAST, LOOSE PIECE, 250 SERIES, 16-14 AWG	
0 PLC ± -		PRODUCT SPEC	108-2043	
1 PLC ± -		APPLICATION SPEC	114-2123	
2 PLC ± -		WEIGHT	-	
3 PLC ± .015		SIZE	A3	CAGE CODE
4 PLC ± -		DRAWING NO	C=520141	
ANGLES ± -		RESTRICTED TO	-	
MATERIAL SEE TABLE	FINISH SEE TABLE	CUSTOMER DRAWING		SCALE 4:1 SHEET 1 OF 1 REV L1