

4

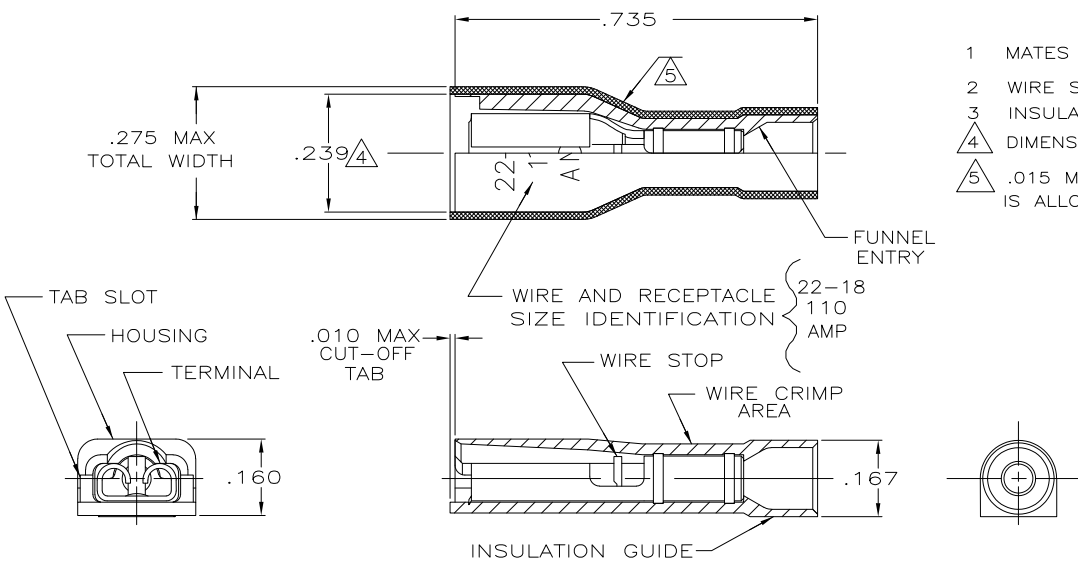
3

2

1

THIS DRAWING IS UNPUBLISHED. RELEASED FOR PUBLICATION  
 © COPYRIGHT - By - ALL RIGHTS RESERVED.

| LOC | DIST | REVISIONS   |                           |         |        |
|-----|------|-------------|---------------------------|---------|--------|
| P   | LTR  | DESCRIPTION | DATE                      | DWN     | APVD   |
| AF  | 50   | L1          | REVISED PER ECO-11-004917 | 11MAR11 | RK HMR |



- 1 MATES WITH .032±.001X.110 OR .125 TAB
- 2 WIRE STRIP LENGTH .281
- 3 INSULATION SIZE .120 MAX DIA
- 4 DIMENSION DOES NOT INCLUDE TRIM BURR
- 5 .015 MAX CARRIER TRIM BURR PER SIDE IS ALLOWABLE IN THE SHADED AREA

|   |            |
|---|------------|
| HOUSING: NYLON, COLOR-RED TRANSLUCENT               | 2-520273-2 |
| RECEPTACLE: #3 HARD BRASS<br>TIN PL .000080 MIN THK |            |
| MATERIAL & FINISH                                   | PART NO    |

|  |  |                                |                 |  |
|--|--|--------------------------------|-----------------|--|
| THIS DRAWING IS A CONTROLLED DOCUMENT.   |  | DWN<br>P FORTNEY<br>11/9/88    | TE Connectivity |  |
| DIMENSIONS:<br>INCHES  |  | CHK<br>MS FEHER<br>11/9/88     |                 |  |
| TOLERANCES UNLESS OTHERWISE SPECIFIED:   |  | APVD<br>K RANDOLPH<br>11/11/88 | NAME            |  |
| 0 PLC ± -<br>1 PLC ± -<br>2 PLC ± -<br>3 PLC ± .015<br>4 PLC ± -<br>ANGLES ± - |  | PRODUCT SPEC<br>108-2043       |                 | RECEPTACLE ASSY, ULTRA-FAST,<br>LOOSE PIECE, .110/.125 SERIES, 22-18 AWG |
| MATERIAL<br>SEE TABLE  |  | APPLICATION SPEC<br>114-2035   |                 |  |
| FINISH<br>SEE TABLE  |  | WEIGHT<br>-                    | SIZE<br>A3      | CAGE CODE<br>00779   |
|  |  | DRAWING NO<br>C=520273         |                 | RESTRICTED TO<br>-   |
|  |  | CUSTOMER DRAWING               |                 | SCALE<br>5:1   |
|  |  | SHEET<br>1 OF 1                |                 | REV<br>L1  |