

4

3

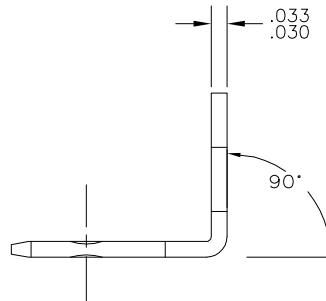
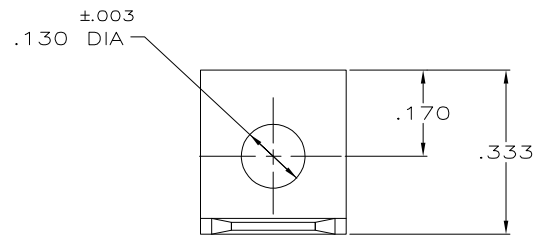
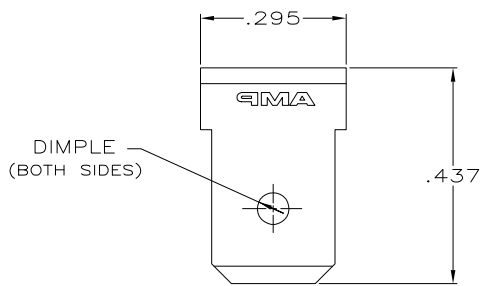
2

1

THIS DRAWING IS UNPUBLISHED. RELEASED FOR PUBLICATION
 © COPYRIGHT - BY TYCO ELECTRONICS CORPORATION. ALL RIGHTS RESERVED.

LOC	DIST	REVISIONS				
P	LTR	DESCRIPTION	DATE	DWN	APVD	
AF	50	F	REV PER ECR-05-017287	04APR06	HMR JR	

1 SUPPLIED IN LOOSE PIECE.



TIN	42095-1
FINISH	PART NO

THIS DRAWING IS A CONTROLLED DOCUMENT.		DWN	JR RUTH	3/8/95	tyco Electronics	Tyco Electronics Corporation Harrisburg, PA 17105-3608	
DIMENSIONS: INCHES		CHK	MS FEHER	3/8/95		NAME	
TOLERANCES UNLESS OTHERWISE SPECIFIED:		APVD	P DESANTIS	3/8/95	TAB, FASTON, .250 SERIES		
0 PLC ± -		PRODUCT SPEC		SIZE			
1 PLC ± -		APPLICATION SPEC		CAGE CODE		DRAWING NO	
2 PLC ± -		WEIGHT		A3 00779		C-42095	
3 PLC ± .015		CUSTOMER DRAWING		SCALE		SHEET	
4 PLC ± -		MATERIAL		5:1		1 OF 1	
ANGLES ± -		082 BRASS		REV		F	
FINISH		SEE TABLE					

AMP 1470-19 REV 31MAR2000