

4

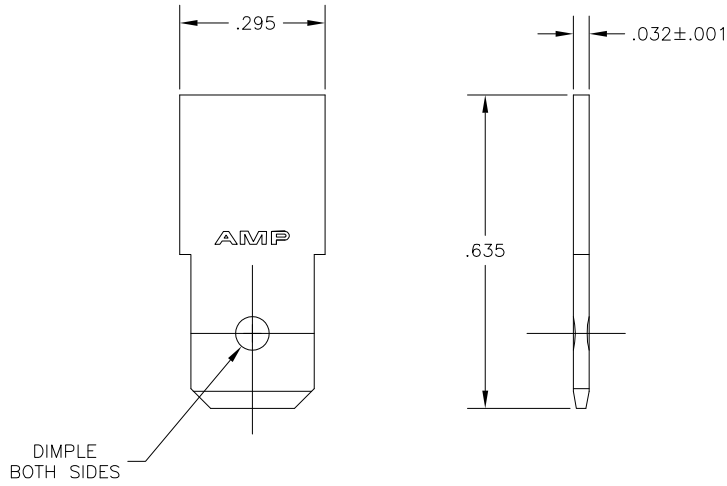
3

2

1

THIS DRAWING IS UNPUBLISHED. RELEASED FOR PUBLICATION  
 © COPYRIGHT - BY TYCO ELECTRONICS CORPORATION. ALL RIGHTS RESERVED.

LOC		DIST		REVISIONS			
P	LTR	DESCRIPTION		DATE	DWN	APVD	
	F1	REV PER ECR-06-018933		11AUG06	HMR	KR	



42559-1  
 PART NO.

THIS DRAWING IS A CONTROLLED DOCUMENT.		DWN	JR RUTH	11APR01	<b>tyco</b> <b>Electronics</b>	Tyco Electronics Corporation Harrisburg, PA 17105-3608				
DIMENSIONS: INCHES		CHK	MS FEHER	11APR01		NAME	TAB, FASTON, .250 SERIES			
TOLERANCES UNLESS OTHERWISE SPECIFIED:		APVD	G PORTA	11APR01	PRODUCT SPEC	---				
0 PLC ± -		APPLICATION SPEC		---		SIZE	CAGE CODE	DRAWING NO	RESTRICTED TO	
1 PLC ± -		---		---		A3	00779	C-42559	---	
2 PLC ± -		---		---		CUSTOMER DRAWING		SCALE	5:1	
3 PLC ± .015		---		---		SHEET		1	OF 1	
4 PLC ± -		---		---		REV		F1		
ANGLES ± -		---		---		MATERIAL		T3 STEEL	FINISH	NICKEL

AMP 1470-19 REV 31MAR2000