

4

3

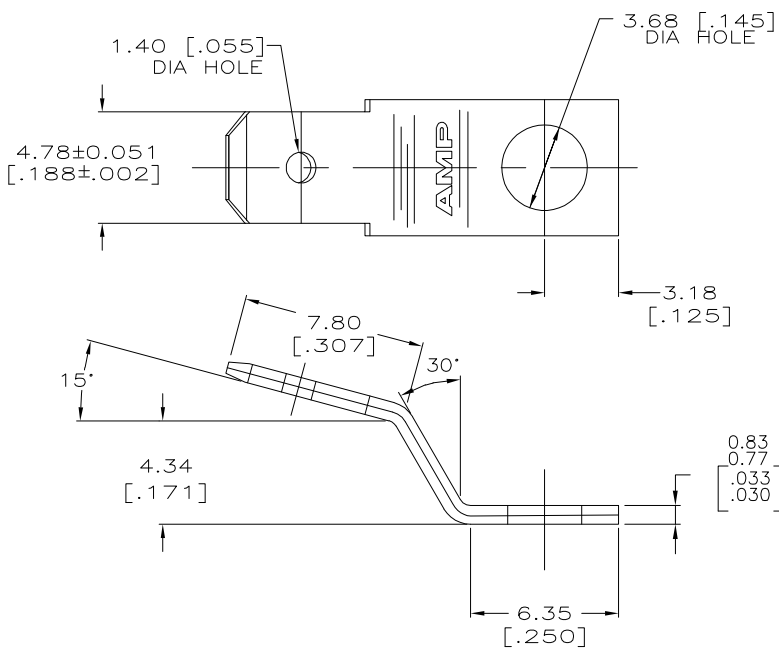
2

1

THIS DRAWING IS UNPUBLISHED. RELEASED FOR PUBLICATION
 © COPYRIGHT - BY TYCO ELECTRONICS CORPORATION. ALL RIGHTS RESERVED.

LOC	DIST	REVISIONS				
P	LTR	DESCRIPTION	DATE	DWN	APVD	
AF	50	F	REV PER ECR-05-017287	10APR06	HMR JR	

1 SUPPLIED IN LOOSE PIECE.



62162-1
 PART NO.

THIS DRAWING IS A CONTROLLED DOCUMENT.		DWN	JR RUTH	3/9/98	tyco Electronics	Tyco Electronics Corporation	
		CHK	MS FEHER	3/9/98		Harrisburg, PA 17105-3608	
DIMENSIONS: mm [INCHES]		APVD	J WORMAN	3/9/98	NAME		
TOLERANCES UNLESS OTHERWISE SPECIFIED:		PRODUCT SPEC		TAB, FASTON, 4.75 [.187] SERIES			
0 PLC ± -		APPLICATION SPEC		SIZE		CAGE CODE	DRAWING NO
1 PLC ± -		WEIGHT		A3		00779	C-62162
2 PLC ± 0.38 [.015]		CUSTOMER DRAWING		SCALE		6:1	SHEET
3 PLC ± -						1	OF 1
4 PLC ± -							REV
ANGLES ± -							F
MATERIAL	FINISH						
082 BRASS	TIN OVER COPPER						

AMP 1470-19 REV 31MAR2000