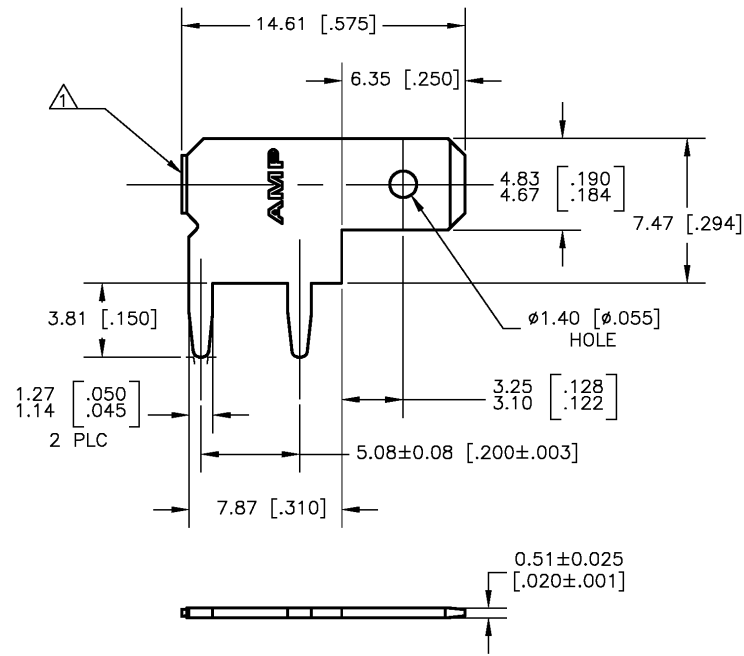
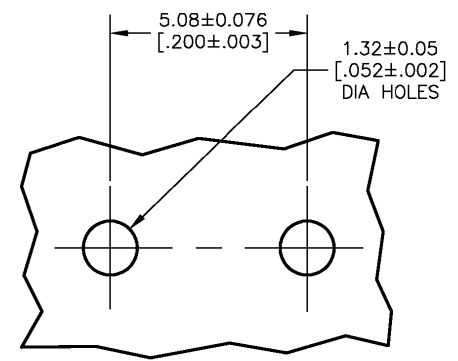


THIS DRAWING IS UNPUBLISHED. RELEASED FOR PUBLICATION  
 © COPYRIGHT BY TYCO ELECTRONICS CORPORATION. ALL RIGHTS RESERVED.

LOC		DIST		REVISIONS			
P	LTR	DESCRIPTION	DATE	DWN	APVD		
AF	50	C	REDRAWN PER 0G3A-0234-01	03APR01	JR	ND	



▲ SUPPLIED IN LOOSE PIECE. AFTER PLATING, BARE EDGES PERMITTED.  
 ▲ 0.00381 [0.00150] MIN TIN OVER  
 0.00127 [0.00050] MIN NICKEL.



P.C. BOARD HOLES

1217156-1  
 PART NO.

THIS DRAWING IS A CONTROLLED DOCUMENT.		DWN JR RUTH 03APR01	AMP Tyco Electronics Corporation Harrisburg, PA 17105	
DIMENSIONS: MM [INCHES]		G/K MS FEHER 03APR01	NAME TAB, FASTON, 4.75 [.187] SERIES	
TOLERANCES UNLESS OTHERWISE SPECIFIED:		APVD N DEIBERT 03APR01	PRODUCT SPEC	
0 PLC ± -		APPLICATION SPEC		
1 PLC ± -		114-2115		
2 PLC ± 0.25 [.010]		SIZE CAGE CODE DRAWING NO		
3 PLC ± -		A3 00779 C-1217156		
4 PLC ± -		RESTRICTED TO		
ANGLES ± -		WEIGHT		
MATERIAL: 082 BRASS		FINISH: - ▲		
		CUSTOMER DRAWING		
		SCALE: 5:1 SHEET 1 OF 1 REV C		

AMP 1470-19 REV 31MAR2000  
 04DEC00 7:30am AMP13469