

DRAWING MADE IN THIRD ANGLE PROJECTION

3

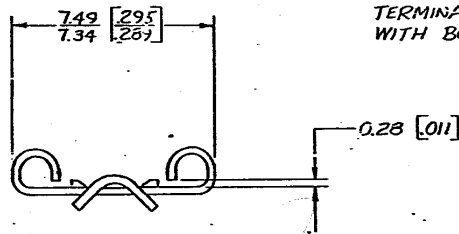
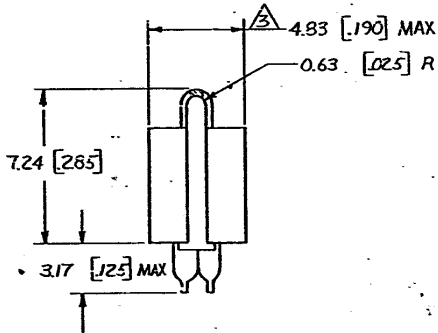
2

LOC AF DIST 50

© COPYRIGHT 1978 BY AMP INCORPORATED, HARRISBURG, PA.  
ALL INTERNATIONAL RIGHTS RESERVED. AMP INCORPORATED PRODUCTS  
COVERED BY U. S. AND FOREIGN PATENTS AND/OR PATENTS PENDING.

REVISIONS					
NO	ZONE	LTR	DESCRIPTION	DATE	APPROVED
✓		A	REVISED AF-1146	7/24/59 P.F.	6/4
✓		B	OBS 62806-1 AF-4436	8/1/59 P.F.	
✓		C	REV PER AF-4436	9/4/59 P.F.	DJB
✓		D	REACTIVATE 62806-1 AF-5992	7/21/59 P.F.	

1. DIMS IN BRACKETS ARE IN INCHES.
  2. TO BE MOUNTED IN  $2.54 \pm 0.05$   
[100 ± .002] DIA HOLE.
- △ MAX DIMENSION REFERS TO THE  
TERMINAL'S COMPRESSED STATE  
WITH BOTH PADS TOUCHING.



**METRIC**

UNLESS OTHERWISE SPECIFIED DIMENSIONS ARE IN MILLIMETERS. TOLERANCES ON DECIMALS ON ANGLES		CONTRACT NO DRY Schaff 8/23/78 CHK G. L. Schaff 8-29-78	AMP INCORPORATED Harrisburg, Pa.	
MATERIAL 0.25 [010] THK BRASS	FINISH TIN	APPROVED Schaff 8-29-78 DESIGN APPD Schaff 8-29-78	NAME P.C.B. RECEPTACLE (2.50 x .016 SPARE)	DRAWING NO 62806 LOOSE PIECE
STRIP NO. 62751-1		PART NO. 62806-1 LOOSE PIECE		
SIZE B		CJDE IDENT NO 00779	SHEET	

CUSTOMER DRAWING