

4

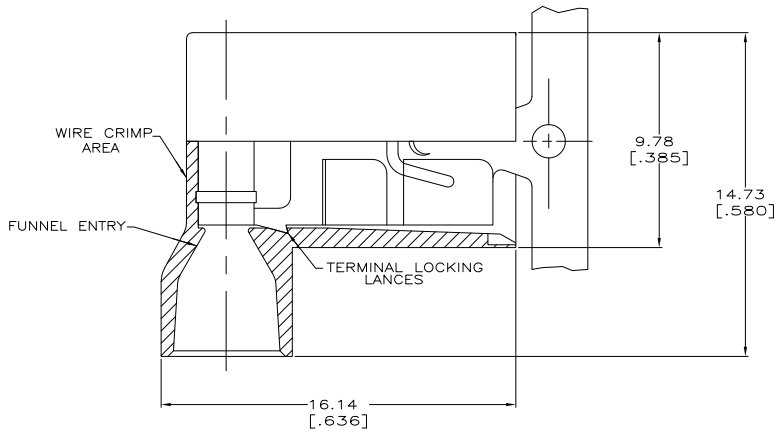
3

2

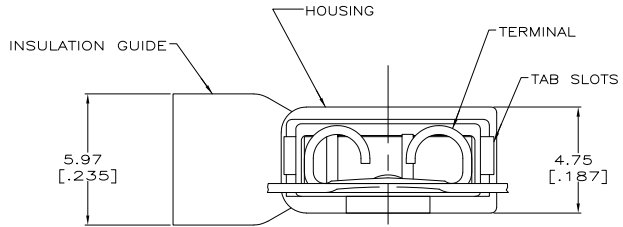
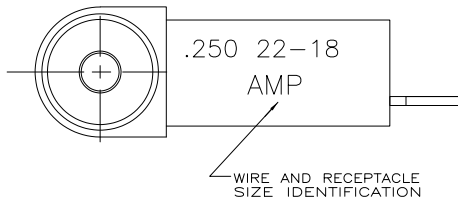
1

THIS DRAWING IS UNPUBLISHED. RELEASED FOR PUBLICATION. ALL RIGHTS RESERVED.

LOC		DIBT		REVISIONS			
P	LR	DATE	BY	APPD	DESCRIPTION	DATE	BY
AF	50	11MAR11	RK	HMR	REVISED PER ECO-11-004587		



- 1 FITS 0.81±0.025 X 6.35 [.032±.001 X .250] TAB
- 2 WIRE SIZE: 0.3-0.9mm<sup>2</sup> [22-18 AWG], STRANDED ONLY. STRIP LENGTH 7.94 [.312]
- 3 INSULATION SIZE: 4.19 [.165] MAX DIA.
- 4 CONTINUOUS STRIP.



BULK	TYPE 6/6	RED	0.41 [.016]	TIN	5-520128-2
STANDARD	NYLON	TRANSLUCENT	4M BRASS		2-520128-2
PACKAGING	MATERIAL	COLOR	MATERIAL	FINISH	PART NO

THIS DRAWING IS A CONTROLLED DOCUMENT.		DR. P. FORTNEY 10/19/99	 TE Connectivity
DIMENSIONS: MM [INCHES]		CR. J.R. RUTH 10/19/99	
MATERIAL: SEE TABLE		APD. D. BRAJNA 10/19/99	RECEPTACLE ASSEMBLY, ULTRA-FAST FLAG, 6.35 [.250] SERIES
FINISH: SEE TABLE		PRODUCT SPEC: 108-2043 APPLICATION SPEC: 114-2123 HEIGHT: -	
		SIZE: A2 CASE CODE: 00779 DRAWING NO: C-520128	RESTRICTED TO: -
		CUSTOMER DRAWING	SCALE: 8:1 SHEET: 1 of 1 REV: W2