

4

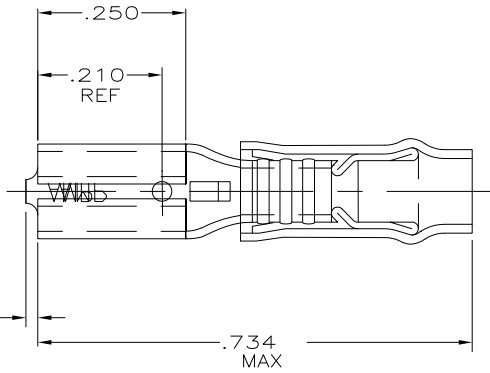
3

2

1

THIS DRAWING IS UNPUBLISHED. RELEASED FOR PUBLICATION  
 © COPYRIGHT - By - ALL RIGHTS RESERVED.

LOC	DIST	REVISIONS			
P	LTR	DESCRIPTION	DATE	DWN	APVD
G	14	F1	REVISED PER ECO-11-004917	11MAR11	RK HMR



1. INSULATION DIA .100 MAX
2. TAB THK .033 MAX

QTY	PACKAGE TYPE	PART NO
5	LOOSE PC,BLS	8-60894-4
100	LOOSE PC,BOX	8-60894-1
-	TAPE MOUNTED	60894-2
-	LOOSE PIECE	60894-1

AMP INCORPORATED CUSTOMER SERVICE SYSTEM		MAX RECOMMENDED OPERATING TEMPERATURE: -	THIS DRAWING IS A CONTROLLED DOCUMENT.		DWN L OLMEDA 13NOV95	TE Connectivity			
FOR ADDITIONAL PRODUCT INFORMATION OR COPIES OF DRAWINGS AND TECHNICAL DOCUMENTS	PRODUCT INFORMATION CENTER 1-800-522-6752	VOLTAGE RATING: -	DIMENSIONS: INCHES	TOLERANCES UNLESS OTHERWISE SPECIFIED:	CHK M ELLIS 13NOV95	NAME			
FOR APPLICATION TOOLING INFORMATION	TOOLING ASSISTANCE CENTER 1-800-722-1111	CIRCULAR MIL AREA: -		0 PLC ± - 1 PLC ± - 2 PLC ± .015 3 PLC ± - 4 PLC ± - ANGLES ± -	APVD B BARE 13NOV95	RECEPTACLE, 110 SERIES, FASTON™, PIDG™, WIRE SIZE, 22-18 AWG			
FOR ORDER ENTRY	1-800-526-5142		MATERIAL BODY,BRASS .012 SLV,NYLON,COLOR,CLEAR	FINISH BODY,PRE-TIN	APPLICATION SPEC -	SIZE A3	CAGE CODE 00779	DRAWING NO C-60894	RESTRICTED TO -
CUSTOMER DRAWING					WEIGHT -	SCALE NTS	SHEET 1 of 1	REV F1	

1470-19 (3/11)