

4

3

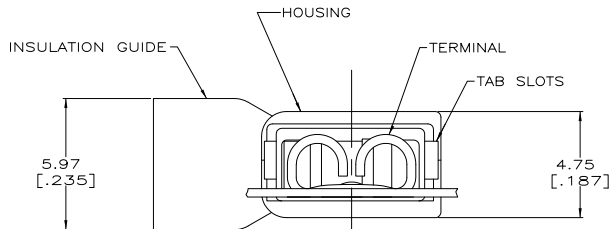
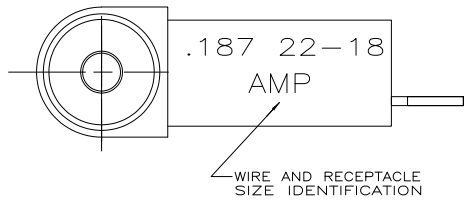
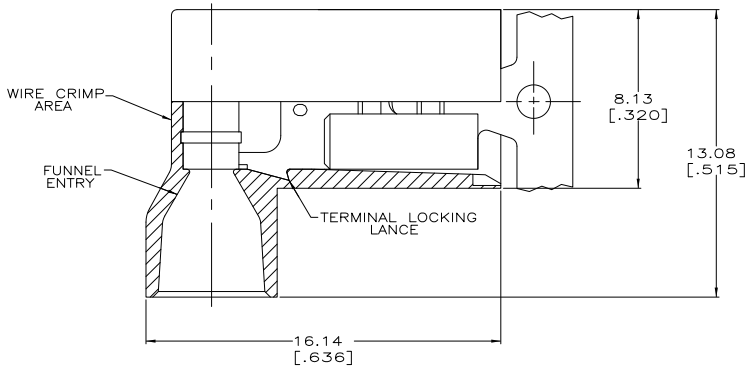
2

1

THIS DRAWING IS UNPUBLISHED. RELEASED FOR PUBLICATION. ALL RIGHTS RESERVED.

LOC		DIST		REVISIONS			
REV	DATE	DESCRIPTION	DATE	BY	APP'D		
F	LW						
L2		REVISED PER ECO-11-004587	11MAR11	RK	HMR		

- 1 FITS 0.51±0.025 X 4.75 [.020±.001 X .187] TAB
- 2 WIRE SIZE: 0.3-0.9mm² [22-18 AWG], STRANDED ONLY.
STRIP LENGTH 7.14 [.281]
- 3 INSULATION SIZE: 4.19 [.165] MAX DIA.
- 4 CONTINUOUS STRIP.



BULK	TYPE 6/6 NYLON	RED TRANSLUCENT BLACK TRANSLUCENT RED TRANSLUCENT	0.41 [.016] #4H BRASS	0.002032 [.000080] MIN TIN PL	5-520334-2 9-520334-2 2-520334-2
PACKAGING	MATERIAL	COLOR	MATERIAL	TERMINAL FINISH	PART NUMBER
THIS DRAWING IS A CONTROLLED DOCUMENT.					
DIMENSIONS: mm [INCHES]		TOLERANCES UNLESS OTHERWISE SPECIFIED:		DIM P FORTNEY 8/8/90 CHK 8/8/90 M/S FEHNER 8/8/90 J/P/C B BRATINA 8/8/90 NAME PRODUCT SPEC: 108-2043 APPLICATION SPEC: 114-2123 WEIGHT: - SIZE CASE CODE DRAWING NO: A2 00779 C=520334 RESTRICTED TO: - MATERIAL: SEE TABLE FINISH: SEE TABLE CUSTOMER DRAWING SCALE: 8:1 SHEET: 1 of 1 REV: L2	

