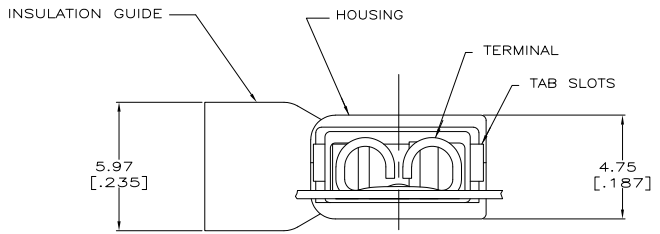
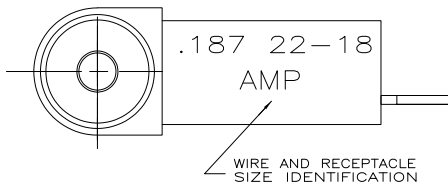
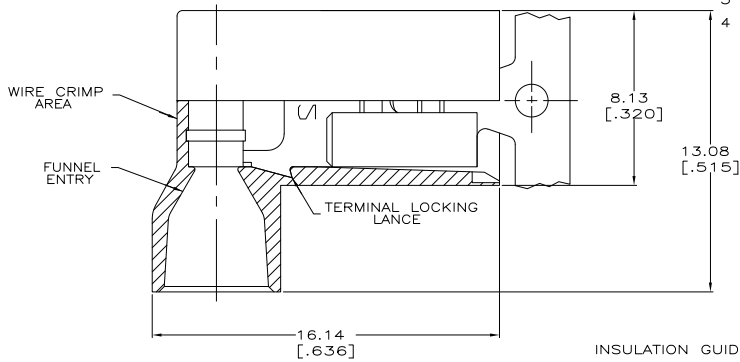


THIS DRAWING IS UNPUBLISHED. RELEASED FOR PUBLICATION
 © COPYRIGHT - By - ALL RIGHTS RESERVED.

REVOLUTIONS		DATE	OWN	APPV
AF	50			
M1		REVISED PER ECO-11-004820	11MAR11	RK HMR

- 1 FITS 0.81±0.025 X 4.75 [.032±.001 X .187] TAB
- 2 WIRE SIZE: 0.3-0.9mm² [22-18 AWG], STRANDED ONLY. STRIP LENGTH 7.14 [.281]
- 3 INSULATION SIZE: 4.19 [.165] MAX DIA.
- 4 CONTINUOUS STRIP



BULK	RED TRANSLUCENT	BLACK	RED TRANSLUCENT	RED TRANSLUCENT	MIN TIN PL	5-520336-2
STANDARD	TYPE 6/6 NYLON	0.41 [.016]	#4H BRASS	0.02032 [.000080]	MIN TIN PL	9-520336-2
PACKAGING	MATERIAL	COLOR	MATERIAL	FINISH		2-520336-2

HOUSING		TERMINAL		PART NO	
THIS DRAWING IS A CONTROLLED DOCUMENT.		OWN	P. FORTNEY	8/9/90	
DIMENSIONS: TO DIMENSIONS UNLESS OTHERWISE SPECIFIED:		DRN	MS FEHER	8/9/90	
mm [INCHES]		APR	D. BRATINA	8/17/90	
0 PUC # -		PRODUCT SPEC	108-2043		
1 PUC # 0.38 [.015]		APPLICATION SPEC	114-2123		
2 PUC # -		SIZE	A2	CAGE CODE	00779
3 PUC # -		DRAWING NO	520336	RESTRICTED TO	
4 PUC # -		WEIGHT		SCALE	8:1
MATERIAL SEE TABLE		FINISH SEE TABLE	CUSTOMER DRAWING	SHEET	1 of 1
				REV	M1

1471-9 (3/11)

520336

A