

4

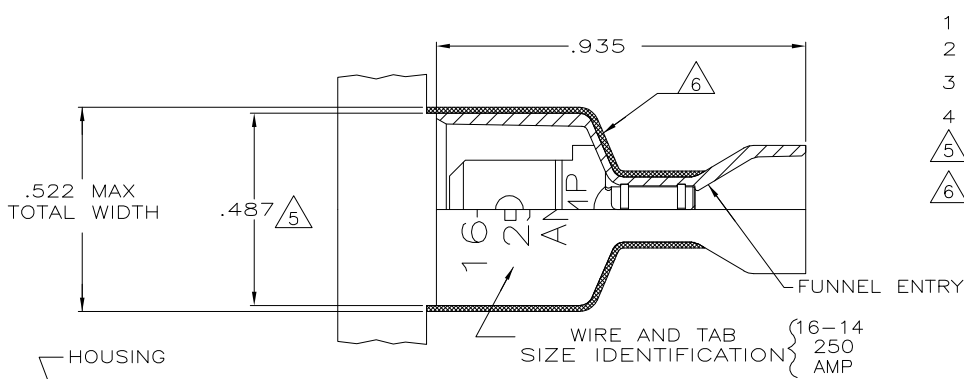
3

2

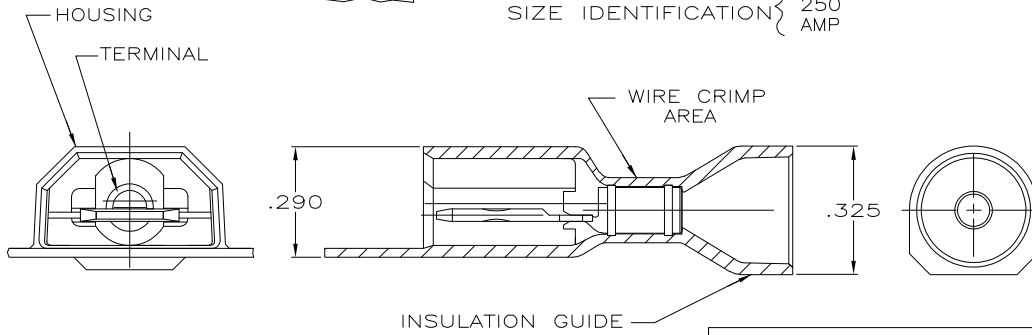
1

THIS DRAWING IS UNPUBLISHED. RELEASED FOR PUBLICATION
 © COPYRIGHT - BY TYCO ELECTRONICS CORPORATION. ALL RIGHTS RESERVED.

LOC	DIST	REVISIONS				
P	LTR	DESCRIPTION	DATE	DWN	APVD	
AF	50	B	REVISED PER ECR-06-009299	30AUG06	HMR RL	



- 1 TAB DIMENSIONS $.032^{+.001} \times .250$
- 2 WIRE STRIP LENGTH $.281$
- 3 INSULATION SIZE $.260$ MAX DIA
- 4 CONTINUOUS STRIP ON REELS
- 5 DIMENSION DOES NOT INCLUDE TRIM BURR
- 6 $.015$ MAX CARRIER TRIM BURR PER SIDE IS ALLOWABLE IN THE SHADED AREA



HOUSING: NYLON, COLOR-BLUE TRANSLUCENT TAB: #3 HARD BRASS, TIN .000080 MIN	3-521142-2
-------------------------------------------------------------------------------	------------

THIS DRAWING IS A CONTROLLED DOCUMENT.		MATERIAL & FINISH		PART NO	
DWN	JR RUTH 4/17/97	Tyco Electronics Corporation Harrisburg, PA 17105-3608		TAB, ASSEMBLY, LID, ULTRA-FAST, .250 SERIES, 16-14 AWG	
CHK	MS FEHER 4/17/97				
APVD	J WORMAN 4/17/97	NAME			
DIMENSIONS:	TOLERANCES UNLESS OTHERWISE SPECIFIED:	PRODUCT SPEC			
INCHES		108-2017			
0 PLC ± -	0 PLC ± -	APPLICATION SPEC			
1 PLC ± -	1 PLC ± -	114-2123	SIZE	CAGE CODE	DRAWING NO
2 PLC ± -	2 PLC ± -		A3	00779	C-521142
3 PLC ± .015	3 PLC ± .015	WEIGHT	RESTRICTED TO		
4 PLC ± -	4 PLC ± -		-		
ANGLES ± -	ANGLES ± -	MATERIAL	CUSTOMER DRAWING		
SEE TABLE	SEE TABLE	FINISH	SCALE	SHEET	REV
			4:1	1 OF 1	B