

4

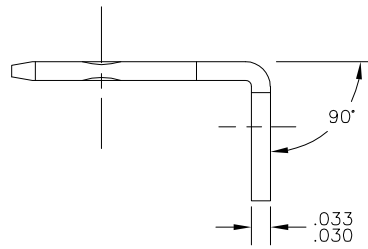
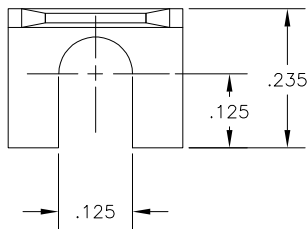
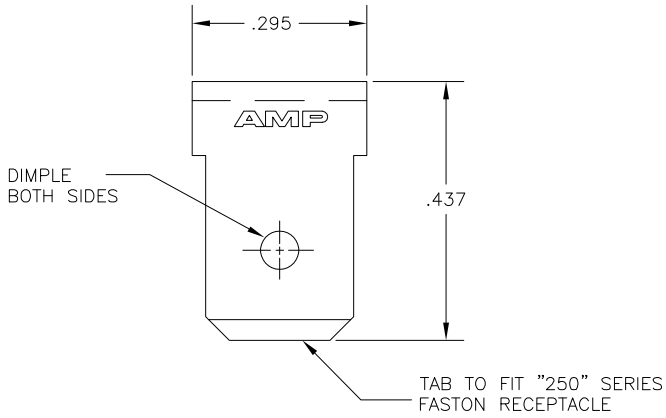
3

2

1

THIS DRAWING IS UNPUBLISHED. RELEASED FOR PUBLICATION  
 © COPYRIGHT BY TYCO ELECTRONICS CORPORATION. ALL RIGHTS RESERVED.

LOC		DIST		REVISIONS				
P	LTR	DESCRIPTION			DATE	DWN	APVD	
AF	50	E		REV PER ECR-05-017287	11APR06	HMR	JR	



PLAIN	41398
FINISH	PART NO

THIS DRAWING IS A CONTROLLED DOCUMENT.		DWN	RAGHAVENDRA	4/11/06	<b>tyco</b> <b>Electronics</b>	Tyco Electronics Corporation Harrisburg, PA 17105-3608			
DIMENSIONS: INCHES		CHK	MS FEHER	10/9/91		NAME	.250 SERIES FASTON TAB		
TOLERANCES UNLESS OTHERWISE SPECIFIED:		APVD	R BEAVER	10/9/91	PRODUCT SPEC	SIZE	CAGE CODE	DRAWING NO	RESTRICTED TO
0 PLC ± -		MATERIAL		FINISH	WEIGHT	A3	00779	C-41398	—
1 PLC ± -		.033/.030 BRASS		SEE TABLE	CUSTOMER DRAWING	SCALE	6:1	SHEET	1 OF 1
2 PLC ± .015									REV
3 PLC ± -									E
4 PLC ± -									
ANGLES ± 1°									

AMP 1470-19 REV 31MAR2000