

4

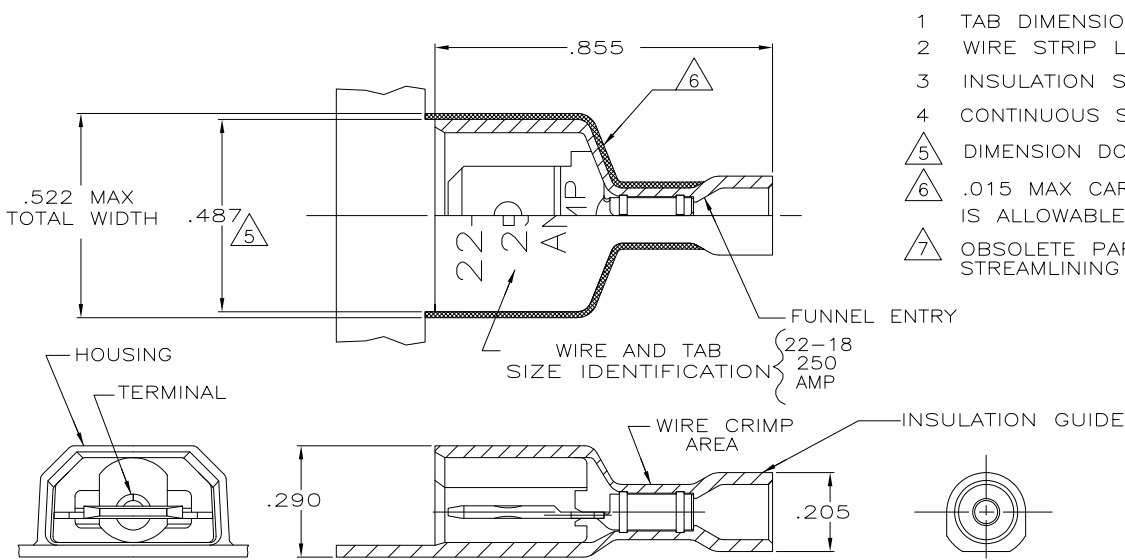
3

2

1

THIS DRAWING IS UNPUBLISHED. RELEASED FOR PUBLICATION
 © COPYRIGHT - By - ALL RIGHTS RESERVED.

| LOC | DIST | REVISIONS | | | | |
|-----|------|---------------------------|---------|-----|------|--|
| P | LTR | DESCRIPTION | DATE | DWN | APVD | |
| | N2 | REVISED PER ECO-11-004587 | 11MAR11 | RK | HMR | |



- 1 TAB DIMENSIONS $.032^{+.001}_{-.002} \times .250$
- 2 WIRE STRIP LENGTH .281
- 3 INSULATION SIZE .135 MAX DIA
- 4 CONTINUOUS STRIP ON REELS
- 5 DIMENSION DOES NOT INCLUDE TRIM BURR
- 6 .015 MAX CARRIER TRIM BURR PER SIDE IS ALLOWABLE IN THE SHADED AREA
- 7 OBSOLETE PARTS: OBSOLETE CIS STREAMLINING PER D.RENAUD/D.SINISI

| 7 | OBSOLETE | BULK | HOUSING: NYLON, COLOR-RED TRANSLUCENT TAB: #3 HARD BRASS, TIN .000080 MIN | 5-520102-2 |
|-----------|----------|----------|--|-------------------|
| | | STANDARD | HOUSING: NYLON, COLOR-RED TRANSLUCENT TAB: #3 HARD BRASS, TIN .000080 MIN | 2-520102-2 |
| | | STANDARD | HOUSING: NYLON, COLOR-RED TRANSLUCENT TAB: #3 HARD BRASS, UNPLATED | 2-520102-1 |
| PACKAGING | | | | MATERIAL & FINISH |
| | | | | PART NO |

| | | | | |
|--|------------------|--------------------------------|---|--------------|
| THIS DRAWING IS A CONTROLLED DOCUMENT. | | DWN P FORTNEY 11/16/88 | TE Connectivity | |
| DIMENSIONS: INCHES | | CHK MS FEHER 11/30/88 | | |
| TOLERANCES UNLESS OTHERWISE SPECIFIED: | | APVD K RANDOLPH 11/14/88 | TAB ASSEMBLY, ULTRA-FAST, .250 SERIES, 22-18 AWG | |
| 0 PLC ± - | 1 PLC ± - | PRODUCT SPEC | RESTRICTED TO | |
| 2 PLC ± - | 3 PLC ± .015 | APPLICATION SPEC | SIZE | CAGE CODE |
| 4 PLC ± - | ANGLES ± - | 114-2123 | A3 | 00779 |
| MATERIAL SEE TABLE | FINISH SEE TABLE | WEIGHT | DRAWING NO | 520102 |
| | | CUSTOMER DRAWING | SCALE 4:1 | SHEET 1 OF 1 |
| | | | | REV N2 |