

4

3

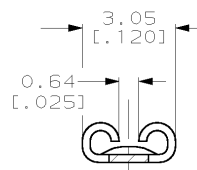
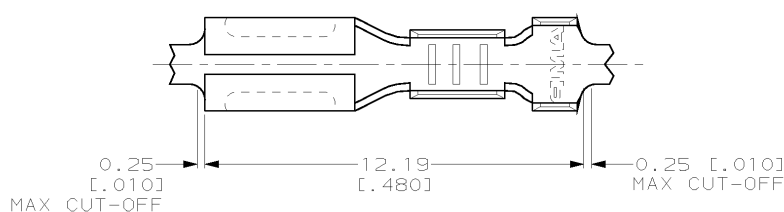
2

1

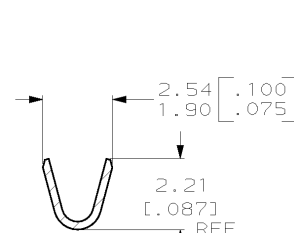
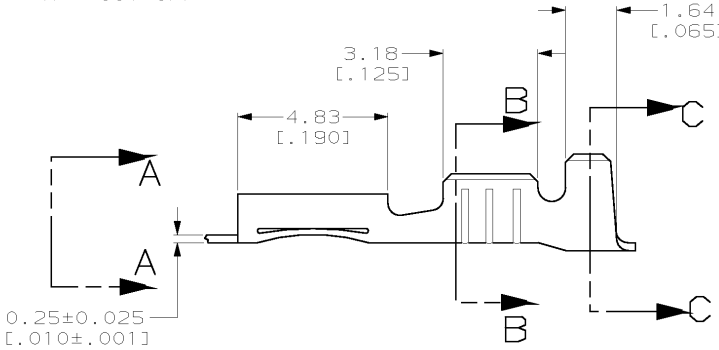
THIS DRAWING IS UNPUBLISHED. RELEASED FOR PUBLICATION
 © COPYRIGHT 19 BY AMP INCORPORATED. ALL RIGHTS RESERVED.

LOC	DIST	REVISIONS				
P	LTR	DESCRIPTION	DATE	DWN	APVD	
AF	50	E	REDRAWN PER 0L10-0028-98	1/29/98	JR	JG

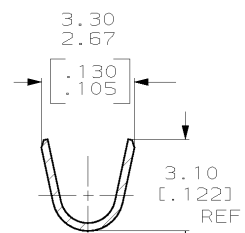
- SUPPLIED IN LOOSE PIECE OR STRIP FORM, SEE DASH NUMBERS.
- WIRE SIZE [#22-#18] AWG.
- MATING TAB IS 0.25±0.025 [.010±.001] THK.
- INSULATION RANGE IS 1.27-2.16 [.050-.085] DIA.



VIEW A-A



SECTION B-B



SECTION C-C

STRIP	63391-2
LOOSE PIECE	63391-1
SUPPLIED TO CUSTOMER	PART NO.

THIS DRAWING IS A CONTROLLED DOCUMENT.		DWN	JR RUTH	1/29/98	
		CHK	P FORTNEY	1/29/98	
		APVD	J GILLESPIE	1/29/98	
DIMENSIONS: MM (INCHES)		TOLERANCES UNLESS OTHERWISE SPECIFIED:			
0 PLC		±			
1 PLC		±			
2 PLC		±0.25 (.010)			
3 PLC		±			
4 PLC		±			
ANGLES		±			
MATERIAL	H04 BRASS	FINISH	0.002032 (.000080) PRE-TIN	WEIGHT	-
AMP Incorporated Harrisburg, PA 17105-3608		RECEPTACLE, TAB, 2.36 [.093]			
SIZE	A3	CAGE CODE	00779	DRAWING NO	C-63391
CUSTOMER DRAWING		SCALE	8:1	SHEET	1 OF 1
		REV	E		