

4

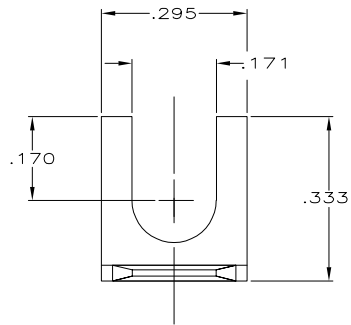
3

2

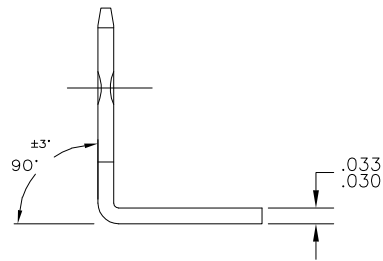
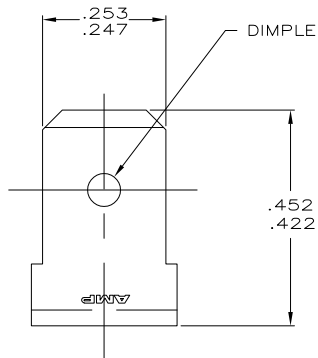
1

THIS DRAWING IS UNPUBLISHED. RELEASED FOR PUBLICATION
 © COPYRIGHT - BY TYCO ELECTRONICS CORPORATION. ALL RIGHTS RESERVED.

LOC	DIST	REVISIONS				
P	LTR	DESCRIPTION	DATE	DWN	APVD	
AF	50	J	REV PER ECR-05-017287	10APR06	HMR JR	



1 SUPPLIED IN LOOSE PIECE.



62166-1
 PART NO.

THIS DRAWING IS A CONTROLLED DOCUMENT.		DWN	JR RUTH	5/13/98	tyco Electronics	Tyco Electronics Corporation Harrisburg, PA 17105-3608	
DIMENSIONS: INCHES		CHK	MS FEHER	5/13/98		NAME	
TOLERANCES UNLESS OTHERWISE SPECIFIED:		APVD	J WORMAN	5/13/98	PRODUCT SPEC		
0 PLC ± -		APPLICATION SPEC		TAB, FASTON, .250 SERIES			
1 PLC ± -		WEIGHT		SIZE		CAGE CODE	DRAWING NO
2 PLC ± -		FINISH		A3		00779	C-62166
3 PLC ± .015		MATERIAL		CUSTOMER DRAWING		SCALE	5:1
4 PLC ± -		082 BRASS		SHEET		1	OF 1
ANGLES ± -		RESTRICTED TO		REV		J	