

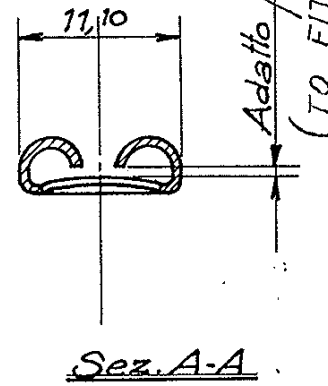
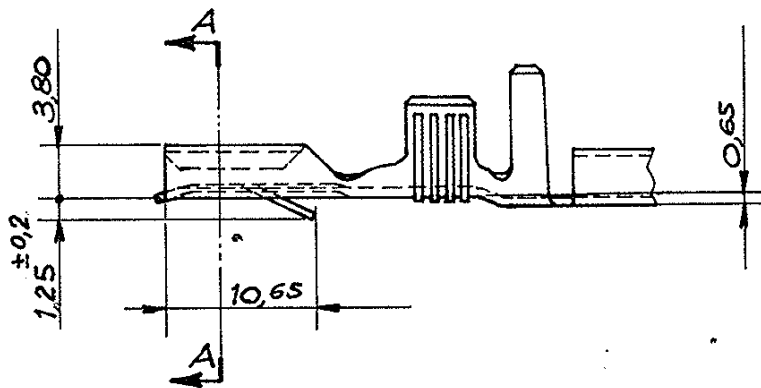
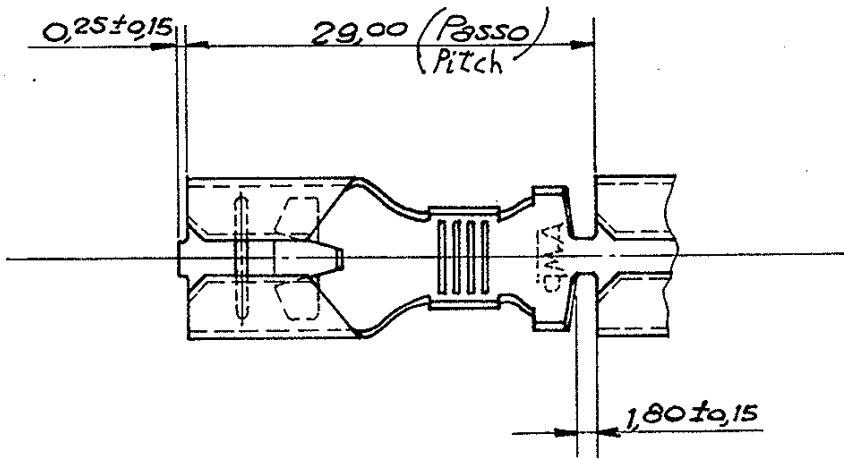
4

3

2

1


280756



VALI RANGE 3-6 mm  
 (CORRISPOND. AL 3-6 (1 mm))

PROIEZIONE AMERICANA

DIMENSIONS IN MM. DO NOT SCALE PRINT

				© 1976 BY AMP INCORPORATED. ALL RIGHTS RESERVED. AMP PRODUCTS COVERED BY PATENTS AND OR PATENTS PENDING.		CUSTOMER COPY REFERENCE ONLY	
L2	STARTEC UPDATING	H.Y.		MATERIAL AND FINISH		 AMP ITALIA VIA CERVI 15 COLLEGNO (TORINO)	
L1	REVISED ET00-0275-98	M.G. R.M.	4-5 2000	---/1 OTTONE ---/2 OTTONE STAGNATO			
B	DIM. 1,25 ± 0,2 WAS 1,40	16/11/82	29- DIC. '76	---/3 BRONZO FOSFOROSO ---/4 BRONZO FOSF. STAGNATO			
A	IN PRODUZIONE			WIRE RANGE INSULATION TYPE 3 ÷ 6 mm <sup>2</sup>   φ 3,4 ÷ 5,1 mm			
1	P/N ERA 1A-76-5207	20/7/76		TOLERANCE EXCEPT AS NOTED ± 0,3 · 1 · 0		LOC	NO
LTR	REVISION RECORD	DR	CHK	DATE	SCALE	I	A
DR	Sopper JULY 1976	DE			2:1		
CHK		APR		29/10/76			
				NAME		REV	L2
						280756	
.375 SERIES FASTIN-FASTON RECEPTACLE							

MP 1252

A  
B  
C  
D  
E  
F