

4

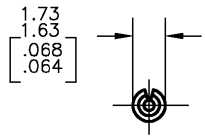
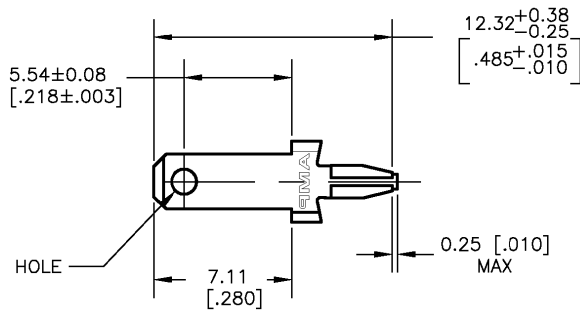
3

2

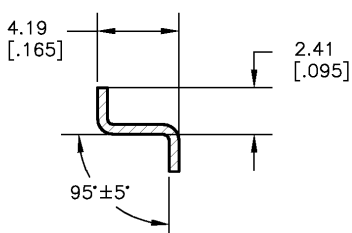
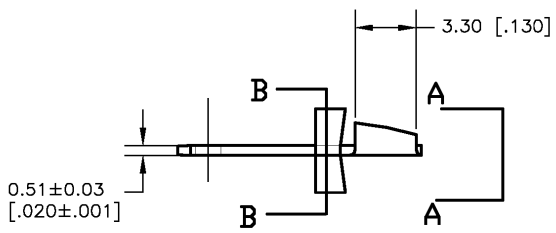
1

THIS DRAWING IS UNPUBLISHED. RELEASED FOR PUBLICATION  
 © COPYRIGHT BY TYCO ELECTRONICS CORPORATION. ALL RIGHTS RESERVED.

LOC		DIST		REVISIONS			
P	LTR	DESCRIPTION	DATE	DWN	APVD		
AF	50	B	REDRAWN PER 0G3A-0126-01	22FEB01	JR	ND	



VIEW A-A



SECTION B-B

- SUPPLIED IN LOOSE PIECE.
- 0.00381 [.000150] MIN TIN PL OVER 0.00254 [.000100] MIN COPPER PL.
- PARTS TO MEET AMP SOLDERABILITY SPEC 109-11-2, MIDLY ACTIVATED ROSIN.
- PRINTED CIRCUIT BOARD THK IS 0.81/2.36 [.032/.093] THK WITH A HOLE DIA OF 1.70/1.60 [.067/.063].

61968-1	62437-1
STRIP P/N	PART NO.

THIS DRAWING IS A CONTROLLED DOCUMENT.		DWN JR RUTH 22FEB01	Tyco Electronics Corporation Harrisburg, PA. 17057	
DIMENSIONS: MM [ INCHES ]		G/K MS FEHER 22FEB01	NAME	
TOLERANCES UNLESS OTHERWISE SPECIFIED:		APVD N DEIBERT 22FEB01	TAB, FASTON, PC BOARD 2.79 [.110] SERIES	
0 PLC ± -		PRODUCT SPEC	SIZE A3	CAGE CODE 00779
1 PLC ± -		APPLICATION SPEC	DRAWING NO C-62437	RESTRICTED TO
2 PLC ± 0.25 [.010]		WEIGHT	CUSTOMER DRAWING	
3 PLC ± -		FINISH	SCALE 5:1	SHEET 1 OF 1
4 PLC ± -		ANGLES	REV B	
MATERIAL 082 BRASS				

AMP 1470-19 REV 31MAR2000  
 15FEB01 7:45am amp13469