

4

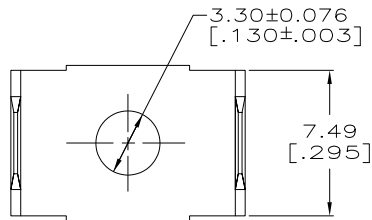
3

2

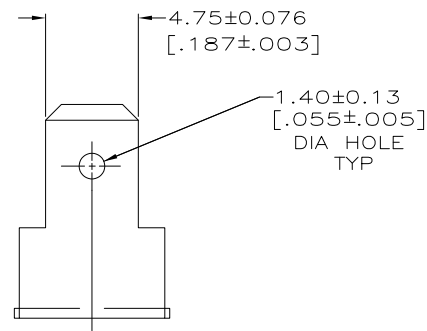
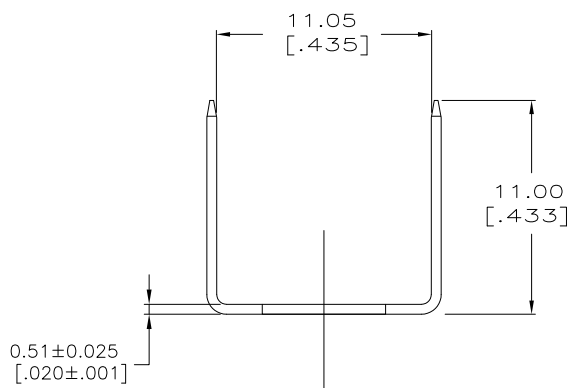
1

THIS DRAWING IS UNPUBLISHED. RELEASED FOR PUBLICATION
 © COPYRIGHT - BY TYCO ELECTRONICS CORPORATION. ALL RIGHTS RESERVED.

| LOC | DIST | REVISIONS | | | | |
|-----|------|-------------|---------------------------|---------|------|----|
| P | LTR | DESCRIPTION | DATE | DWN | APVD | |
| AF | 50 | C | REVISED PER ECR-10-004058 | 08JUN10 | HMR | PD |



1 CONTINUOUS STRIP ON REELS.



61951-1
PART NO.

| | | | | | |
|---|-----------|------------------|------------|--------------------------|---|
| THIS DRAWING IS A CONTROLLED DOCUMENT. | | DWN | JR RUTH | 30JUN99 | Tyco Electronics Corporation Harrisburg, PA 17105-3608 |
| DIMENSIONS: mm [INCHES] | | CHK | MS FEHER | 30JUN99 | |
| TOLERANCES UNLESS OTHERWISE SPECIFIED: 0 PLC ± - 1 PLC ± - 2 PLC ± 0.38 [.015] 3 PLC ± - 4 PLC ± - ANGLES ± - | | APVD | P DESANTIS | 30JUN99 | NAME |
| | | PRODUCT SPEC | | TAB, FASTON, .187 SERIES | |
| MATERIAL | 082 BRASS | APPLICATION SPEC | | SIZE | A3 |
| FINISH | TIN | WEIGHT | | CAGE CODE | 00779 |
| | | CUSTOMER DRAWING | | DRAWING NO | 61951 |
| | | | | RESTRICTED TO | - |
| | | | | SCALE | 5:1 |
| | | | | SHEET | 1 OF 1 |
| | | | | REV | C |

AMP 1470-19 REV 31MAR2000