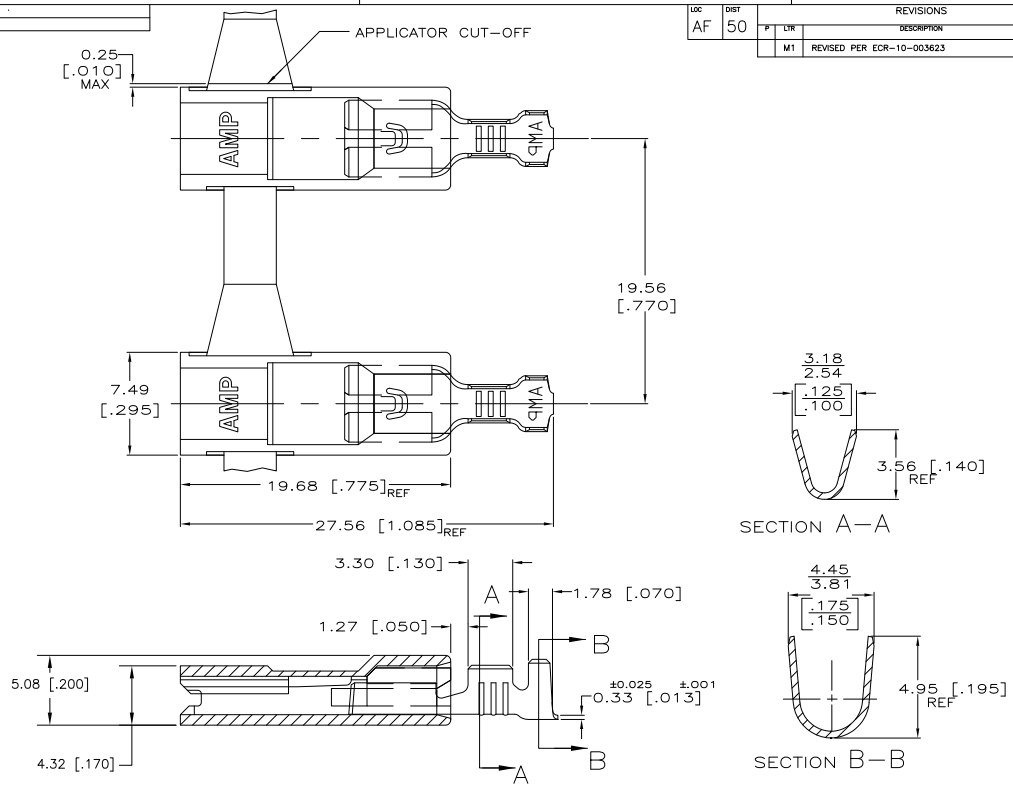


THIS DRAWING IS UNPUBLISHED. RELEASED FOR PUBLICATION
 © COPYRIGHT BY TYCO ELECTRONICS CORPORATION. ALL INTERNATIONAL RIGHTS RESERVED.

LOC	DIST	REVISIONS			
P	LTR	DESCRIPTION	DATE	BY	APPD
AF	50	M1	REVISED PER ECR-10-003623	03MAR10	HMR GP



- 1 FASTON TERMINALS, BASE
P/N 63653, ARE USED IN THIS PRODUCT.
- 2 TIN PLATE PER MIL-T-10727
.002032 [.000080] MIN.
- 3 MATERIAL: HOUSING - 6/6 NYLON
TERMINAL - H04 BRASS
- 4 FINISH: HOUSING - COLOR, NATURAL
TERMINAL - SEE TABLE

OBSOLETE	BULK	TIN					5-520973-2
OBSOLETE	BULK	PLAIN					5-520973-1
	STANDARD	TIN					520973-2
	STANDARD	PLAIN					520973-1
PACKAGING	TERMINAL FINISH	INSULATION RANGE	WIRE SIZE	THK	MATING TAB	PART NO.	
		2.29-3.30 [.090-.130] DIA	0.5-1.3 mm ² [20-16]	0.508 [.020]	±0.025 [±.001]		
THIS DRAWING IS A CONTROLLED DOCUMENT.		DESIGNED BY	JR. RUTH	DATE	3/20/90	Tyco Electronics Corporation Harrisburg, PA 17105-3608	
DIMENSIONS:		CHECKED BY	MS. FEHRER	DATE	3/20/90	Tyco Electronics Corporation	
INCHES		APPROVED BY	R. KUZO	DATE	3/20/90	ASSEMBLY, RECEPTACLE, ULTRA-POD, 4.8 [.187] SERIES	
OTHER DIMENSIONS UNLESS OTHERWISE SPECIFIED:		PRODUCT SPEC	108-1285	SIZE	A2	CAGE CODE	00779
APPLICATOR CUT-OFF		APPLICATION SPEC	114-2124	DRAWING NO	C-520973		RESTRICTED TO
MATERIAL		FINISH		RIGHT			
CUSTOMER DRAWING		SCALE	5:1	SHEET	1 of 1	REV	M1