

4

3

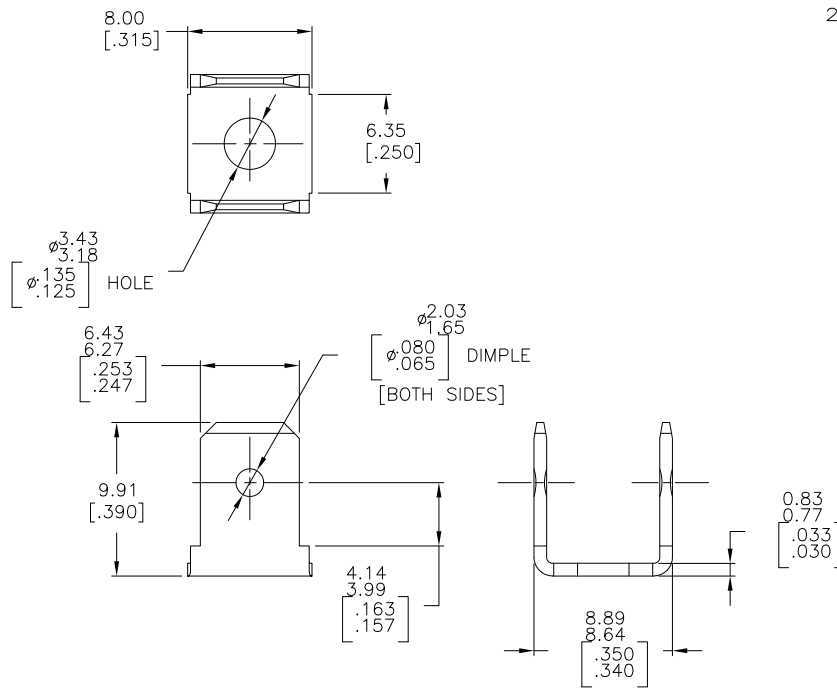
2

1

THIS DRAWING IS UNPUBLISHED. RELEASED FOR PUBLICATION
 © COPYRIGHT - By - ALL RIGHTS RESERVED.

LOC		DIST		REVISIONS			
P	LTR	DESCRIPTION		DATE	DWN	APVD	
AG2		REVISED PER ECO-11-004820		11MAR11	RK	HMR	

1. DIMENSIONS IN BRACKETS ARE IN INCHES.
2. SUPPLIED IN LOOSE PIECE.



41290
 PART NUMBER

METRIC

THIS DRAWING IS A CONTROLLED DOCUMENT.		DWN	JR RUTH	8/12/86	
DIMENSIONS: mm [INCHES]		CHK	G YETTER	8/12/86	
TOLERANCES UNLESS OTHERWISE SPECIFIED: 0 PLC ± - 1 PLC ± - 2 PLC ± - 3 PLC ± 0.25 .010 4 PLC ± - ANGLES ± -		APVD	C MEYERS	8/15/86	
MATERIAL: NOS 2H BRASS		FINISH	-	-	
PRODUCT SPEC		NAME	.250 SERIES FASTON TAB		
APPLICATION SPEC		SIZE	A3	CAGE CODE	00779
WEIGHT		DRAWING NO	C-41290		
CUSTOMER DRAWING		SCALE	4:1	SHEET	1 of 1
		REV	AG2		