

4

3

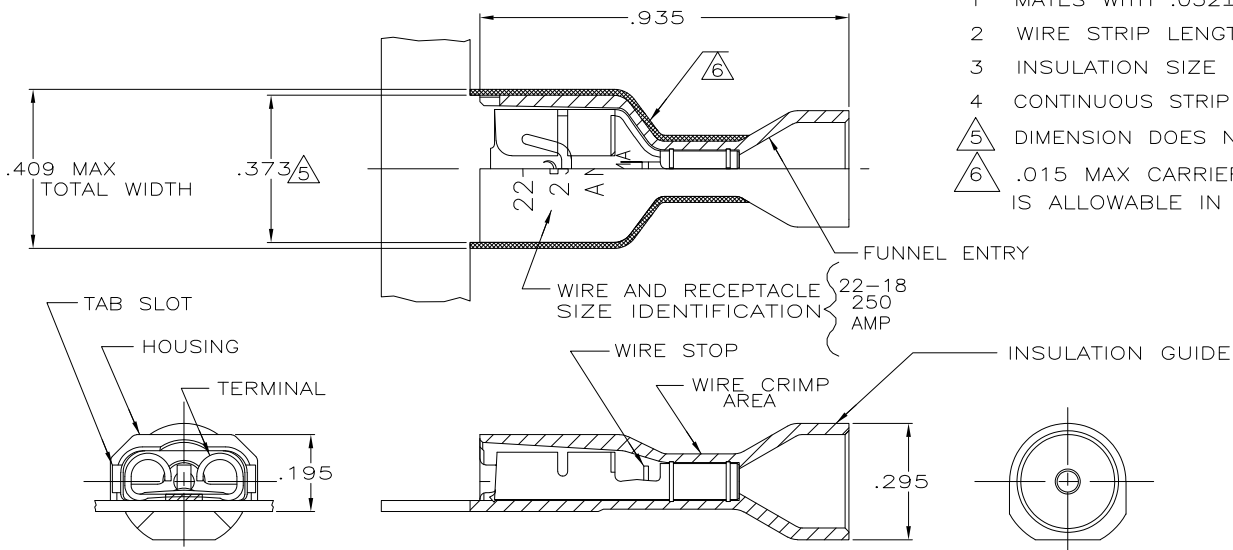
2

1

THIS DRAWING IS UNPUBLISHED. RELEASED FOR PUBLICATION ALL RIGHTS RESERVED.

LOC	DIST	REVISIONS					
AF	50	P	LTR	DESCRIPTION	DATE	DWN	APVD
		L1		REVISED PER ECO-11-004587	11MAR11	RK	HMR

- 1 MATES WITH .032±.001x.250 TAB
- 2 WIRE STRIP LENGTH .281
- 3 INSULATION SIZE .230 MAX DIA
- 4 CONTINUOUS STRIP ON REELS
- 5 DIMENSION DOES NOT INCLUDE TRIM BURR
- 6 .015 MAX CARRIER TRIM BURR PER SIDE IS ALLOWABLE IN THE SHADED AREA



BULK	HOUSING: NYLON, COLOR-RED TRANSLUCENT RECEPTACLE: #3 HARD BRASS, TIN .000080 MIN	5-520263-2
STANDARD	HOUSING: NYLON, COLOR-RED TRANSLUCENT RECEPTACLE: #3 HARD PH BRONZE, TIN .000080 MIN	2-520263-4
	HOUSING: NYLON, COLOR-RED TRANSLUCENT RECEPTACLE: #3 HARD BRASS, TIN .000080 MIN	2-520263-2
PACKAGING	MATERIAL & FINISH	PART NO

THIS DRAWING IS A CONTROLLED DOCUMENT.		DWN P FORTNEY 9/30/88	TE Connectivity		
DIMENSIONS: INCHES		CHK MS FEHER 9/30/88			NAME
TOLERANCES UNLESS OTHERWISE SPECIFIED:		APVD K RANDOLPH 9/30/88	RECEPTACLE ASSY, ULTRA-FAST, .250 SERIES, 22-18 AWG		
0 PLC ± -		PRODUCT SPEC	SIZE		
1 PLC ± -		108-2043	CAGE CODE	DRAWING NO	
2 PLC ± -		APPLICATION SPEC	A3	00779	C=520263
3 PLC ± .015		WEIGHT	RESTRICTED TO		
4 PLC ± -	FINISH	CUSTOMER DRAWING			
ANGLES ± -	SEE TABLE	SCALE 4:1 SHEET 1 OF 1 REV L1			