

4

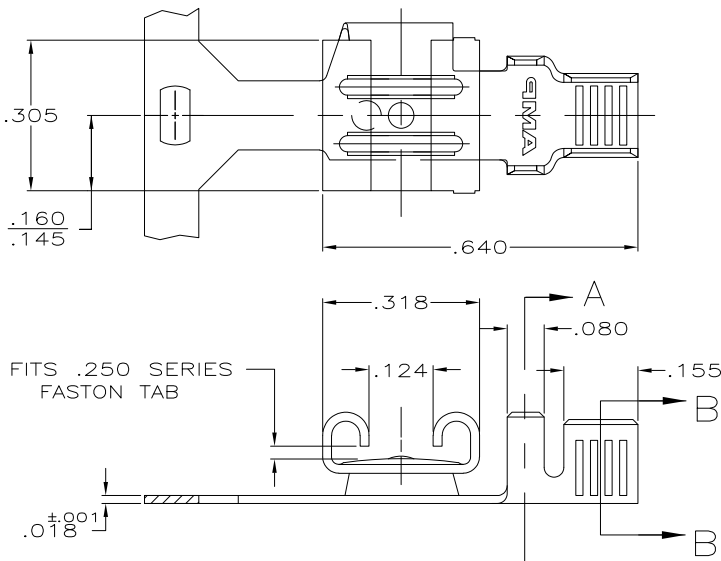
3

2

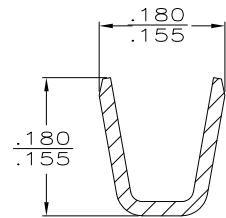
1

THIS DRAWING IS UNPUBLISHED. RELEASED FOR PUBLICATION
 © COPYRIGHT - By - ALL RIGHTS RESERVED.

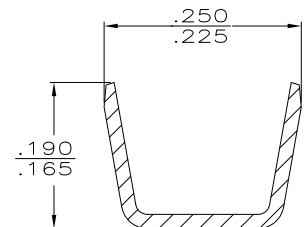
| LOC | DIST | REVISIONS | | | | |
|-----|------|-------------|---------------------------|---------|--------|--|
| P | LTR | DESCRIPTION | DATE | DWN | APVD | |
| AF | 50 | N1 | REVISED PER ECO-11-004917 | 11MAR11 | RK HMR | |



1 CONTINUOUS STRIP ON REELS.



SECTION B-B
SCALE 8:1



SECTION A-A
SCALE 8:1

OBSOLETE
OBSOLETE

| | | | | | |
|--------------------|-----------|--------------------|-------------|----------------------|--------------------|
| .130 TO .170 | 16-12 | TIN .000080 MIN | T4 BRASS | .032 | 61188-3 |
| | | SILVER .000150 MIN | T3 PHOS BRZ | | 61188-2 |
| | | TIN .000080 MIN | T3 PHOS BRZ | | 61188-1 |
| INSUL RANGE | WIRE SIZE | FINISH | MATERIAL | MATING TAB THK ±.001 | PART NO |

| | | | | | | | |
|--|------------------|-----------------------|---|--------------|------------------|------------|---------------|
| THIS DRAWING IS A CONTROLLED DOCUMENT. | | DWN JR RUTH 3/22/90 | TE Connectivity RECEPTACLE, FASTON™ FLAG, REVERSIBLE, .250 SERIES | | | | |
| DIMENSIONS: INCHES | | CHK MS FEHER 3/22/90 | | | | NAME | RESTRICTED TO |
| TOLERANCES UNLESS OTHERWISE SPECIFIED: | | APVD C MEYERS 3/22/90 | | | | SIZE | CAGE CODE |
| 0 PLC ± - 1 PLC ± - 2 PLC ± - 3 PLC ± .010 4 PLC ± - ANGLES ± - | | PRODUCT SPEC | | | | DRAWING NO | REV |
| MATERIAL SEE TABLE | FINISH SEE TABLE | APPLICATION SPEC | 114-2032 | WEIGHT | A3 00779 C=61188 | | |
| | | CUSTOMER DRAWING | SCALE 5:1 | SHEET 1 OF 1 | REV N1 | | |