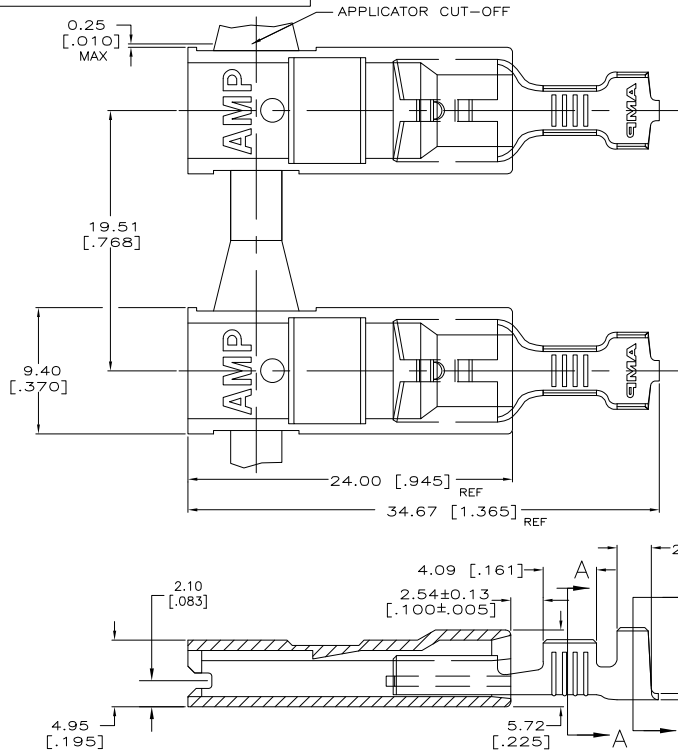


THIS DRAWING IS UNPUBLISHED. RELEASED FOR PUBLICATION. BY TYCO ELECTRONICS CORPORATION. ALL RIGHTS RESERVED.

LOC	QST	REVISIONS	
AF	50	TR	DESCRIPTION
		K1	REVISED PER ECR-06-000467
			DATE
			23MAY06
			DRN
			HMR
			GP



- 1 PREMIER FASTON TERMINALS, BASE P/N 42219 ARE USED FOR -1. LOW-INSERTION FASTONS, BASE P/N 63306 ARE USE FOR -2.
- 2 NICKEL PLATE 0.00381 [.000150] MIN
- 3 TIN PLATE 0.002032 [.000080] MIN.
- 4 MATERIAL: HOUSING - 4/8 NYLON (150°C) TERMINAL - SEE TABLE
- 5 FINISH: HOUSING - COLOR, BLACK TERMINAL - SEE TABLE

OBSOLETE	BULK	#4M HD BRASS	TIN	2.79-4.32	0.8-2.0 mm ² [18-14]	0.813 [.032]	5-521011-2
OBSOLETE	BULK	#2 HD STEEL	NICKEL	[.110-.170] DIA			5-521011-1
	STANDARD	#4M HD BRASS	TIN				521011-2
	STANDARD	#2 HD STEEL	NICKEL				521011-1
	PACKAGING	TERMINAL MATERIAL	TERMINAL FINISH	INSULATION RANGE	WIRE SIZE	MATING TAB THK ±0.025 [±.001]	PART NO.
THIS DRAWING IS A CONTROLLED DOCUMENT.				DRN	12/7/92	Tyco Electronics Corporation	
				DR	12/7/92	Harrisburg, PA 17105-3608	
				APP	12/7/92	ASSEMBLY, ULTRA-POD, RECEPTACLE, 6.35 [250] SERIES	
				PRODUCT SPEC	108-1285		
				APPLICATION SPEC	114-2124		
				WEIGHT	-		
				CUSTOMER DRAWING	A2	00779	©=521011
				SCALE	5:1	SHEET 1 of 1	
				REV	K1		

AMP 1471-B REV 31MAY2000

521011

A