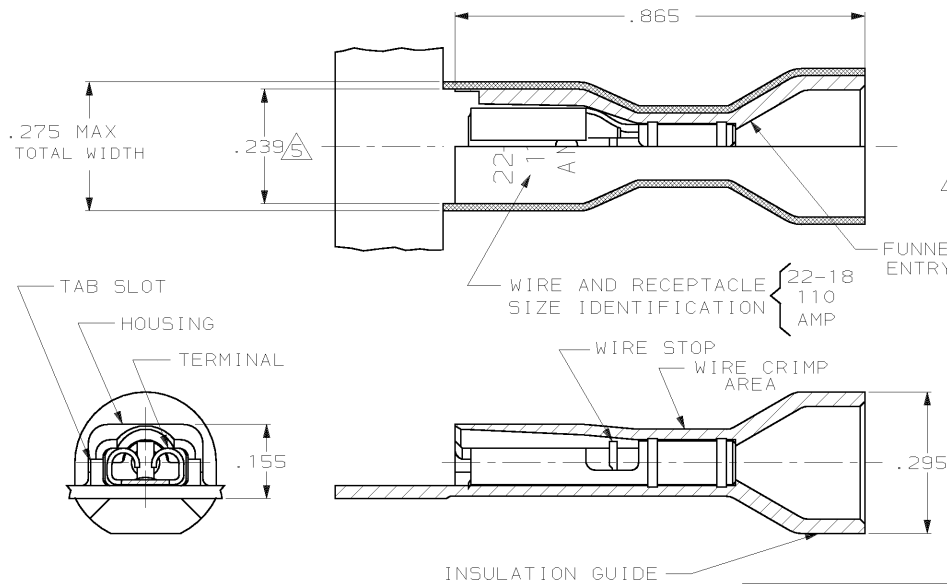


DRAWING MADE IN THIRD ANGLE PROJECTION

THIS DRAWING IS UNPUBLISHED. RELEASED FOR PUBLICATION, 1999
 © COPYRIGHT 1999 BY AMP INCORPORATED. ALL INTERNATIONAL RIGHTS RESERVED.

LOC	DIST	REVISIONS		
AF	50	ZONE	LTR	DESCRIPTION
		G		REV PER OG1A-0145-99
				DATE
				3/10/99
				APPD
				JR/JH



- 1 MATES WITH .032±.001 X .110 OR .125 TABS.
- 2 WIRE STRIP LENGTH .281
- 3 INSULATION SIZE .230 MAX DIA
- 4 CONTINUOUS STRIP ON REELS
- 5 DIMENSION DOES NOT INCLUDE TRIM BURR

HOUSING: NYLON, COLOR-RED TRANSLUCENT		2-520310-2	
RECEPTACLE: #3 HARD BRASS		PART NO	
TIN PL .000080 MIN THK PER MIL-T-10727			
MATERIAL & FINISH		AMP INCORPORATED Harrisburg, Pa. 17105	
DO NOT SCALE PRINT. UNLESS SPECIFIED DIMENSIONS IN INCHES TOLERANCES ON: 2. PLC DEC ± 3. PLC DEC ± .015 ANGLES ±	DR 5/8/89 P. FORNEY CHK 5/8/89 MS FEHER APPD 5/8/89 K. RANDOLPH APPD 5/8/89 TL SHUTTER	NAME RECEPTACLE ASSY, ULTRA-FAST, .110/.125 SERIES, 22-18 AWG	
MATERIAL SEE TABLE	PRODUCT SPEC 108-2043	SIZE B	FSCM NO 00779
FINISH SEE TABLE	APPLICATION SPEC 114-2123	DRAWING NO 520310	
WEIGHT -		SCALE 5:1	SHEET 1 OF 1

AMP 1470-15 REV 3-87
 03-JUN-99 13:02:50 amp13469 /home/amp13469/edimmod

CUSTOMER DRAWING