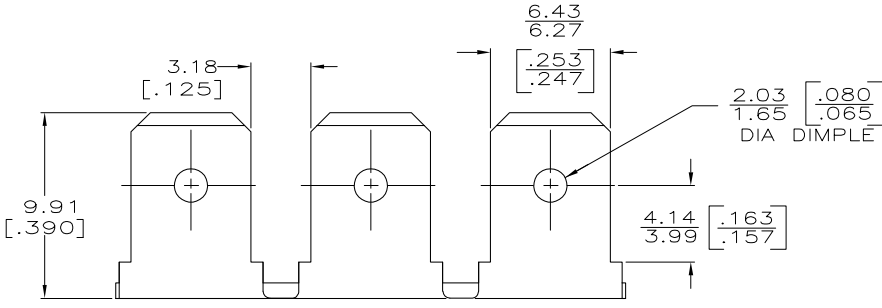
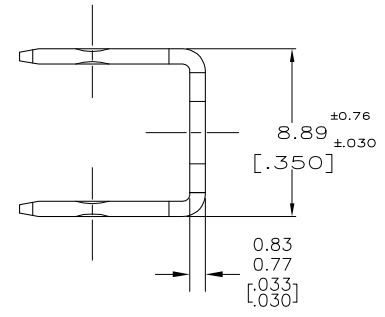
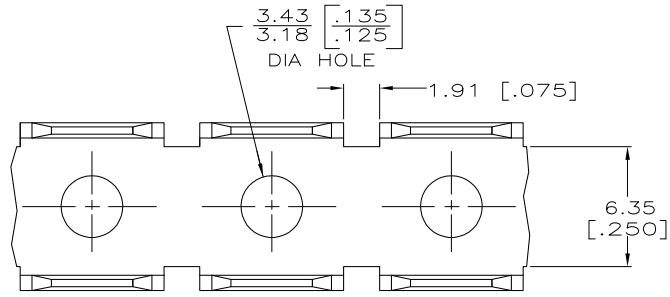


THIS DRAWING IS UNPUBLISHED. RELEASED FOR PUBLICATION
 © COPYRIGHT BY TYCO ELECTRONICS CORPORATION. ALL RIGHTS RESERVED.

LOC	DIST	REVISIONS					
AF	50	P	LTR	DESCRIPTION	DATE	DWN	APVD
		AM		REV PER ECR-05-017287	06APR06	HMR	JR

1 CONTINUOUS STRIP ON REELS.



-	42115-6
TIN	42115-4
FINISH	PART NO

THIS DRAWING IS A CONTROLLED DOCUMENT.		DWN	JR RUTH	12/2/91		Tyco Electronics Corporation	
DIMENSIONS:		CHK	MS FEHER	12/2/91		Harrisburg, PA 17105-3608	
mm [INCHES]	TOLERANCES UNLESS OTHERWISE SPECIFIED:	APVD	MEYERS	12/2/91	NAME		
0 PLC ± -	0 PLC ± -	PRODUCT SPEC		TAB, FASTON, 6.35 [.250] SERIES			
1 PLC ± -	1 PLC ± -	APPLICATION SPEC		SIZE	CAGE CODE	DRAWING NO	RESTRICTED TO
2 PLC ± -	2 PLC ± -	WEIGHT		A3	00779	C=42115	-
3 PLC ± 0.38 [.015]	3 PLC ± -	MATERIAL		CUSTOMER DRAWING			
4 PLC ± -	4 PLC ± -	FINISH		SCALE	SHEET	1 of 1	REV
ANGLES ± -	SEE TABLE	082 BRASS		5:1			AM

AMP 1470-19 REV 31MAR2000