

4

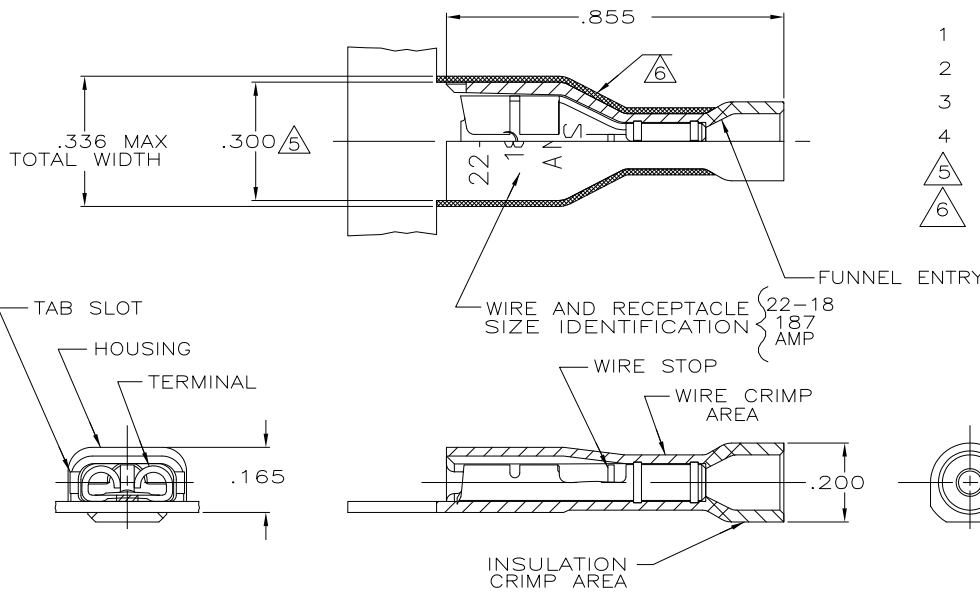
3

2

1

THIS DRAWING IS UNPUBLISHED. RELEASED FOR PUBLICATION  
 © COPYRIGHT - By - ALL RIGHTS RESERVED.

LOC	DIST	REVISIONS			
P	LTR	DESCRIPTION	DATE	DWN	APVD
AF	50	L1	REVISED PER ECO-11-004820	11MAR11	RK HMR



- 1 MATES WITH .020±.001x.187 TAB
- 2 WIRE STRIP LENGTH .281
- 3 INSULATION SIZE .060-.135 DIA
- 4 CONTINUOUS STRIP ON REELS
- 5 DIMENSION DOES NOT INCLUDE TRIM BURR
- 6 .015 MAX CARRIER TRIM BURR PER SIDE IS ALLOWABLE IN THE SHADED AREA

HOUSING: NYLON, COLOR-RED TRANSLUCENT  
 RECEPTACLE: #3 HARD BRASS  
 TIN PL .000080 MIN THK

2-520401-2

THIS DRAWING IS A CONTROLLED DOCUMENT.		MATERIAL & FINISH		PART NO	
DWN P FORTNEY 10/31/88		CHK MS FEHER 11/2/88		TE Connectivity RECEPTACLE ASSY, ULTRA-FAST PLUS, .187 SERIES, 22-18 AWG	
APVD K RANDOLPH 11/2/88		NAME			
DIMENSIONS: INCHES		PRODUCT SPEC		SIZE	
0 PLC ± - 1 PLC ± - 2 PLC ± - 3 PLC ± .015 4 PLC ± - ANGLES ± -		108-2044		CAGE CODE DRAWING NO	
MATERIAL SEE TABLE		APPLICATION SPEC		A3 00779 C-520401	
FINISH SEE TABLE		WEIGHT		RESTRICTED TO	
		114-2123		CUSTOMER DRAWING	
		SCALE 4:1		SHEET 1 OF 1 REV L1	