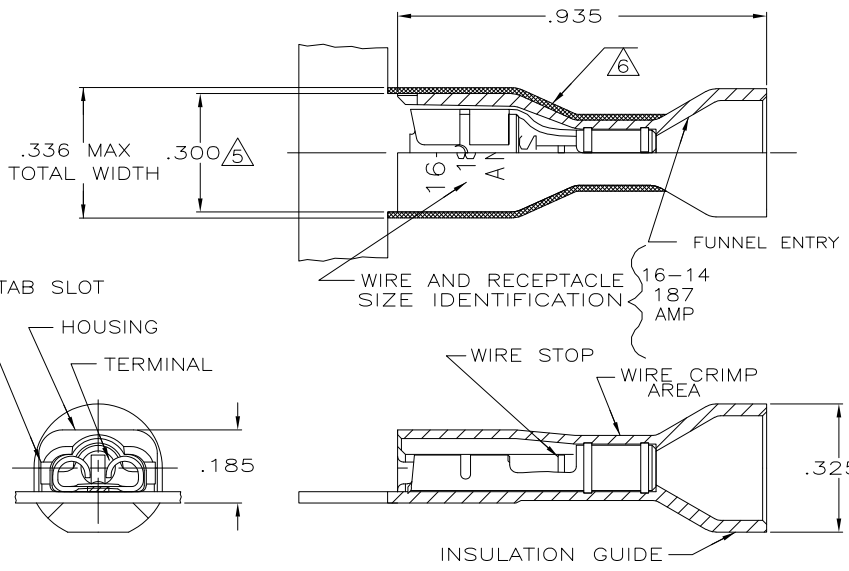


THIS DRAWING IS UNPUBLISHED. RELEASED FOR PUBLICATION  
 © COPYRIGHT - By - ALL RIGHTS RESERVED.

LOC	DIST	REVISIONS			
P	LTR	DESCRIPTION	DATE	DWN	APVD
AF	50	M1	REVISED PER ECO-11-004917	11MAR11	RK HMR



- 1 MATES WITH .020±.001x.187 TAB
- 2 WIRE STRIP LENGTH .281
- 3 INSULATION SIZE .260 MAX DIA
- 4 CONTINUOUS STRIP ON REELS
- △5 DIMENSION DOES NOT INCLUDE TRIM BURR
- △6 .015 MAX CARRIER TRIM BURR PER SIDE IS ALLOWABLE IN THE SHADED AREA
- △7 PRELIMINARY - NOT FOR PRODUCTION

STANDARD	HOUSING: NYLON, COLOR - GRAY TRANSLUCENT RECEPTACLE: #3 HARD BRASS TIN PL .000080 MIN THK	△6-520150-2
BULK	HOUSING: NYLON, COLOR - BLUE TRANSLUCENT RECEPTACLE: #3 HARD BRASS TIN PL .000080 MIN THK	5-520150-2
STANDARD	HOUSING: NYLON, COLOR - BLUE TRANSLUCENT RECEPTACLE: #3 HARD BRASS TIN PL .000080 MIN THK	3-520150-2
PACKAGING	MATERIAL & FINISH	PART NO

THIS DRAWING IS A CONTROLLED DOCUMENT.		DWN P FORTNEY 9/28/88	TE Connectivity	
DIMENSIONS: INCHES		CHK MS FEHER 9/28/88		
TOLERANCES UNLESS OTHERWISE SPECIFIED:		APVD K RANDOLPH 9/28/88	NAME RECEPTACLE ASSY, ULTRA-FAST, .187 SERIES, 16-14 AWG	
0 PLC ± -		PRODUCT SPEC 108-2043	RESTRICTED TO	
1 PLC ± -		APPLICATION SPEC 114-2123	SIZE A3	CAGE CODE 00779
2 PLC ± -		WEIGHT -	DRAWING NO C=520150	REV M1
3 PLC ± .015		MATERIAL SEE TABLE	CUSTOMER DRAWING	
4 PLC ± -	FINISH SEE TABLE	SCALE 4:1	SHEET 1 OF 1	
ANGLES ± -				