

4

3

2

1

THIS DRAWING IS UNPUBLISHED.

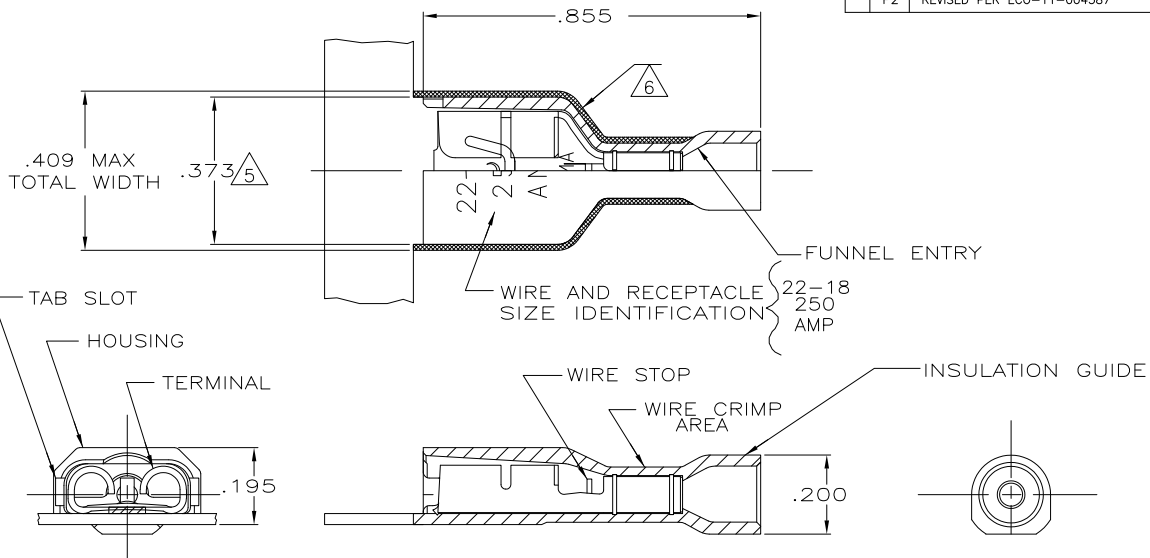
RELEASED FOR PUBLICATION

ALL RIGHTS RESERVED.

LOC
AF 50

REVISIONS

P	LTR	DESCRIPTION	DATE	DWN	APVD
	P2	REVISED PER ECO-11-004587	11MAR11	RK	HMR



- 1 MATES WITH .032±.001x.250 TAB
- 2 WIRE STRIP LENGTH .281
- 3 INSULATION SIZE .135 MAX DIA
- 4 CONTINUOUS STRIP ON REELS
- 5 DIMENSION DOES NOT INCLUDE TRIM BURR
- 6 .015 MAX CARRIER TRIM BURR PER SIDE IS ALLOWABLE IN THE SHADED AREA

STANDARD	HOUSING: NYLON, COLOR-BLACK TRANSLUCENT RECEPTACLE: #3 HARD BRASS, TIN .000080 MIN	9-520183-2
BULK	HOUSING: NYLON, COLOR-RED TRANSLUCENT RECEPTACLE: #3 HARD BRASS, TIN .000080 MIN	5-520183-2
STANDARD	HOUSING: NYLON, COLOR-RED TRANSLUCENT RECEPTACLE: #3 HARD PH BRONZE, TIN .000080 MIN	2-520183-4
	HOUSING: NYLON, COLOR-RED TRANSLUCENT RECEPTACLE: #3 HARD BRASS, TIN .000080 MIN	2-520183-2
PACKAGING	MATERIAL & FINISH	PART NO
THIS DRAWING IS A CONTROLLED DOCUMENT.		DWN P FORTNEY 10/18/88
DIMENSIONS: INCHES		CHK JR RUTH 10/18/88
TOLERANCES UNLESS OTHERWISE SPECIFIED:		APVD K RANDOLPH 10/21/88 NAME
0 PLC ± -		PRODUCT SPEC
1 PLC ± -		108-2043
2 PLC ± -		APPLICATION SPEC
3 PLC ± .015		114-2123
4 PLC ± -		WEIGHT -
ANGLES ± -		SIZE A3 CAGE CODE 00779 DRAWING NO C-520183 RESTRICTED TO -
MATERIAL SEE TABLE	FINISH SEE TABLE	CUSTOMER DRAWING SCALE 4:1 SHEET 1 OF 1 REV P2

1470-19 (3/11)