

4

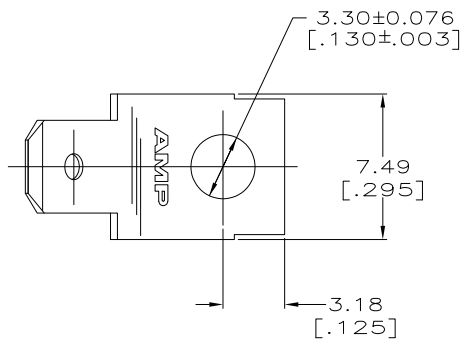
3

2

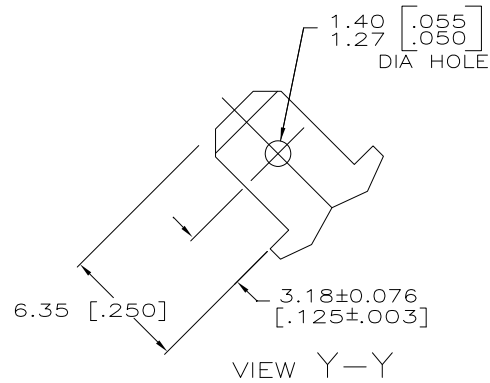
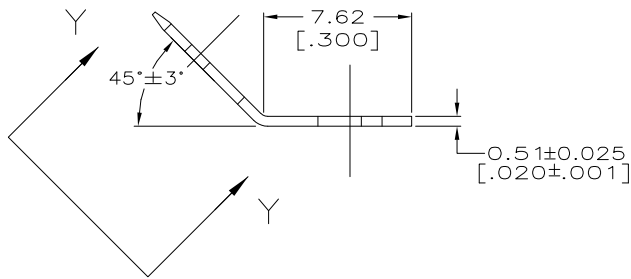
1

THIS DRAWING IS UNPUBLISHED. RELEASED FOR PUBLICATION
 © COPYRIGHT - BY TYCO ELECTRONICS CORPORATION. ALL INTERNATIONAL RIGHTS RESERVED.

LOC	DIST	REVISIONS				
P	LTR	DESCRIPTION	DATE	DWN	APVD	
AF	50					
	G	REVISED PER ECR-10-004058	08JUN10	HMR	PD	



- 1 SUPPLIED IN LOOSE PIECE.
- △2 TIN PLATE
- △3 PRELIMINARY - NOT FOR PRODUCTION



VIEW Y-Y

-	△3 61761-3
△2	61761-2
FINISH	PART NO.

THIS DRAWING IS A CONTROLLED DOCUMENT.		DWN	JR RUTH	1/24/97	 Tyco Electronics Corporation Harrisburg, PA 17105-3608
DIMENSIONS:		CHK	MS FEHER	1/24/97	
mm [INCHES]		APVD	J HUZVAR	1/24/97	
TOLERANCES UNLESS OTHERWISE SPECIFIED:		NAME		PRODUCT SPEC	
0 PLC	± -	APPLICATION SPEC		---	
1 PLC	± -	WEIGHT		---	
2 PLC	± 0.38 [015]	SIZE		A3	
3 PLC	± -	CAGE CODE		00779	
4 PLC	± -	DRAWING NO		61761	
ANGLES	± -	RESTRICTED TO		---	
MATERIAL	082 BRASS	FINISH		SEE TABLE	
CUSTOMER DRAWING		SCALE	5:1	SHEET	1 OF 1
		REV	G		