

4

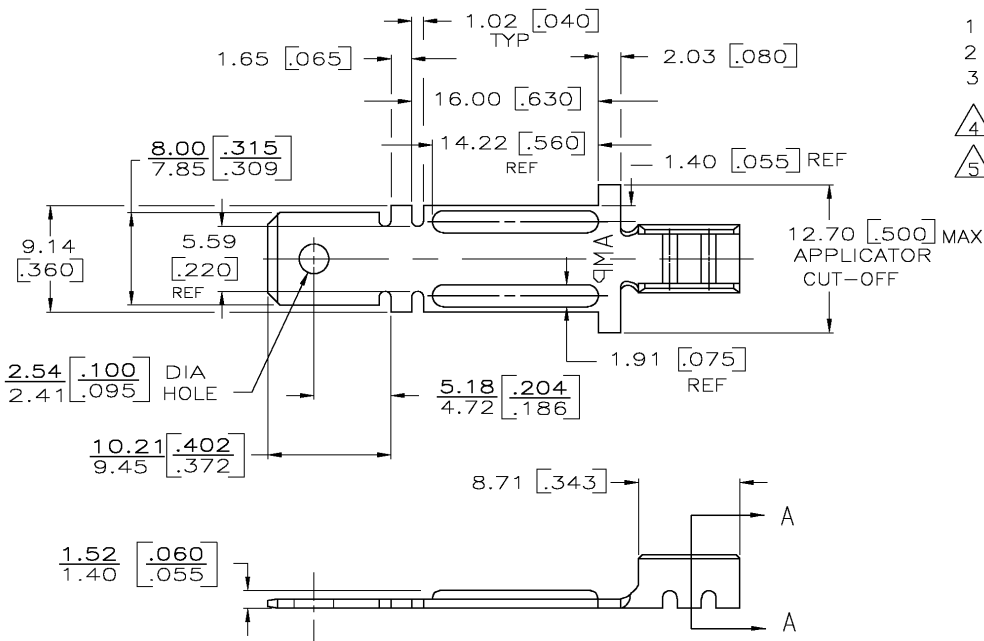
3

2

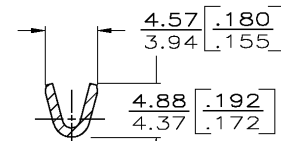
1

THIS DRAWING IS UNPUBLISHED. RELEASED FOR PUBLICATION  
 © COPYRIGHT - BY TYCO ELECTRONICS CORPORATION. ALL RIGHTS RESERVED.

LOC	DIST	REVISIONS				
P	LTR	DESCRIPTION	DATE	DWN	APVD	
AF	50	J	REV PER OG3A-0071-05	15FEB05	JR KR	



- 1 DIMENSIONS IN BRACKETS ARE IN INCHES.
- 2 CONTINUOUS STRIP ON REELS.
- 3 SEE SHEET 2 FOR SUGGESTED LOCKING IN CERAMIC.
- 4 REVERSE REELING OF 63300-1.
- 5 PRELIMINARY - NOT FOR PRODUCTION



SECTION A-A

OBSOLETE

TIN	H02 BRASS	[22-15] 0.30-1.45 MM DIA COPPER	5	63300-3
NICKEL	CR STEEL	[22-15] 0.30-1.45 MM DIA NI-CHROME		63300-2
NICKEL	CR STEEL	[22-15] 0.30-1.45 MM DIA NI-CHROME		63300-1
FINISH	MATERIAL	WIRE SIZE	PART NO.	
THIS DRAWING IS A CONTROLLED DOCUMENT.		DWN JR RUTH 5/9/86	Tyco Electronics Corporation	
DIMENSIONS: MM [INCHES]		CHK G YETTER 5/20/86	Harrisburg, Pa 17105-3608	
TOLERANCES UNLESS OTHERWISE SPECIFIED:		APVD R KUZO 5/20/86	NAME	
0 PLC ± -		PRODUCT SPEC	TAB, FASTON, .312 SERIES	
1 PLC ± -		APPLICATION SPEC	-	
2 PLC ± -		114-2097	-	
3 PLC ± 0.25[010]		WEIGHT	RESTRICTED TO	
4 PLC ± -			-	
ANGLES ± -			-	
MATERIAL SEE TABLE	FINISH SEE TABLE	CUSTOMER DRAWING	SIZE A3	CAGE CODE 00779
			DRAWING NO C-63300	
			SCALE 3:1	SHEET 1 OF 2
				REV J

4

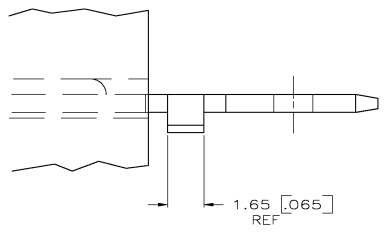
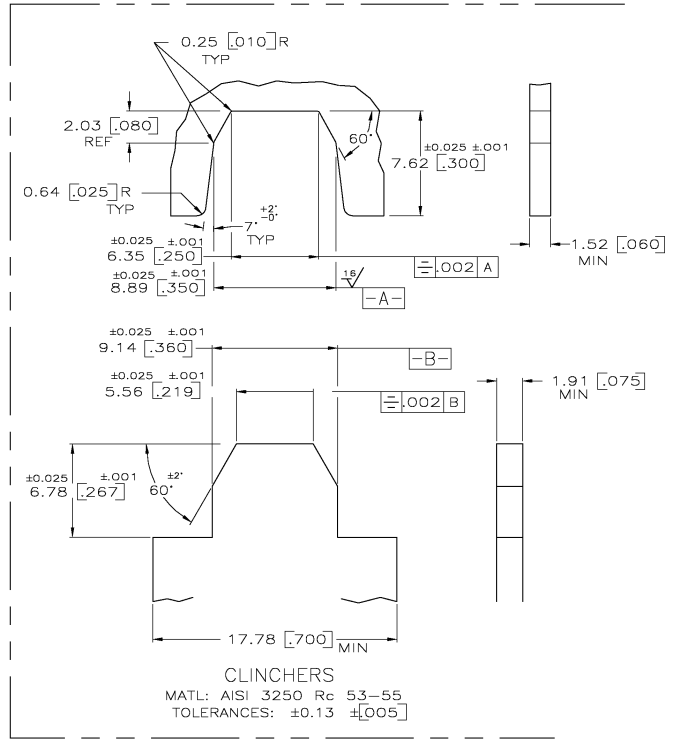
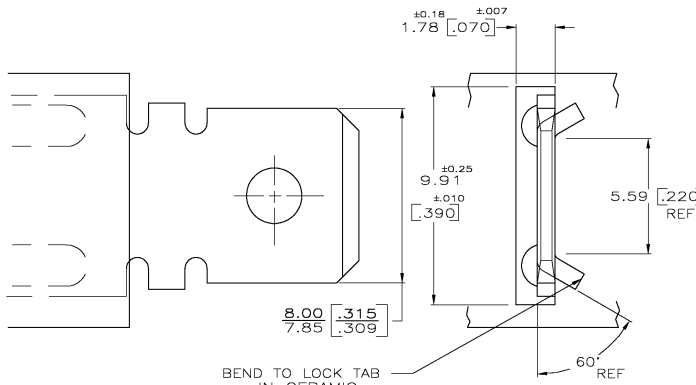
3

2

1

THIS DRAWING IS UNPUBLISHED. RELEASED FOR PUBLICATION  
 © COPYRIGHT BY TYCO ELECTRONICS CORPORATION. ALL RIGHTS RESERVED.

LOC	DIST	REVISIONS		
P	LTR	DESCRIPTION	DATE	MIN
AF	50	SEE SHEET 1	-	-



CLINCHERS  
 MATL: AISI 3250 Rc 53-55  
 TOLERANCES: ±0.13 ±0.005

63300-3
63300-2
63300-1
PART NO.

THIS DRAWING IS A CONTROLLED DOCUMENT.		DR: JR RUTH 5/12/98	Tyco Electronics Corporation Harrisburg, Pa 17105-3608
DIMENSIONS: MM (INCHES)		CHK: G YETTER 5/20/98	
TOLERANCES UNLESS OTHERWISE SPECIFIED:		APP: R KUZO 5/20/98	TAB, FASTON, .312 SERIES
0 P/LC ± -	1 P/LC ± -	PRODUCT SPEC	
2 P/LC ± -	3 P/LC ± 0.3M (1st)	APPLICATION SPEC	
4 P/LC ± -	ANGLES ± -	114-2097	RESTRICTED TO
FINISH		HEIGHT	
MATERIAL: SEE SHEET 1	FINISH: SEE SHEET 1	CUSTOMER DRAWING	SCALE: 8:1 SHEET 2 OF 2 REV J

AMP 1421-9 REV 31 MAR 2000

63300

A