

4

3

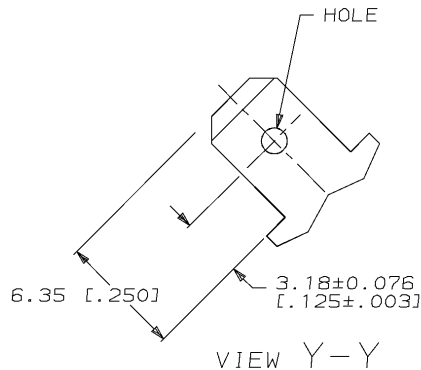
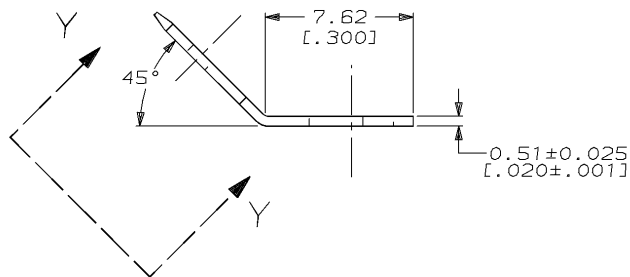
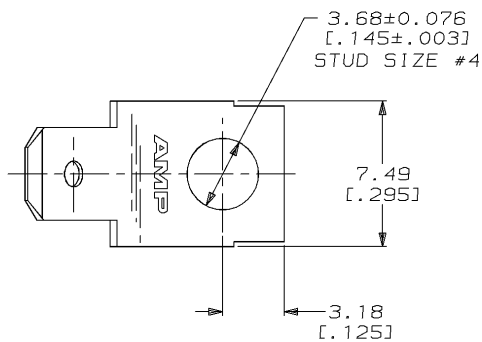
2

1

THIS DRAWING IS UNPUBLISHED. RELEASED FOR PUBLICATION
 © COPYRIGHT 19 BY AMP INCORPORATED. ALL RIGHTS RESERVED.

LOC		DIST		REVISIONS				
P	LTR	DESCRIPTION			DATE	DWN	APVD	
B		REDRAWN PER OL10-0008-97			1/10/97	JR	JH	

1 SUPPLIED IN LOOSE PIECE.



62576-1

PART NO.

THIS DRAWING IS A CONTROLLED DOCUMENT.		DWN	JR RUTH	1/10/97	AMP AMP Incorporated Harrisburg, PA 17105-3608
DIMENSIONS: MM (INCHES)		CHK	MS FEHER	1/10/97	
TOLERANCES UNLESS OTHERWISE SPECIFIED:		APVD	J HUZVAR	1/10/97	NAME
0 PLC ±-		PRODUCT SPEC		TAB, FASTON, 4.75 [.187] SERIES	
1 PLC ±-		APPLICATION SPEC		SIZE	CAGE CODE
2 PLC ±0.38 (.015)		WEIGHT		A3	00779
3 PLC ±-		CUSTOMER DRAWING		DRAWING NO	
4 PLC ±-		SCALE		C-62576	
ANGLES ±-		SHEET		1 OF 1	
MATERIAL	082 BRASS	FINISH		REV	
				B	

AMP 1470-19 REV 23FE89S

10-JAN-97 11:04:13 amp13469 /ks/dep12121/dwg2121/u.tbls